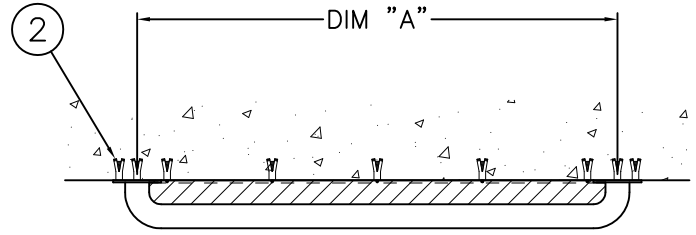
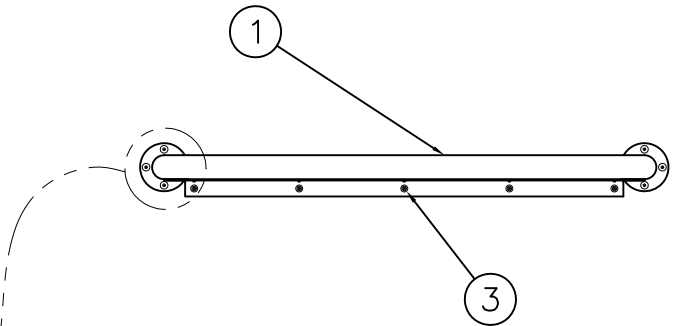
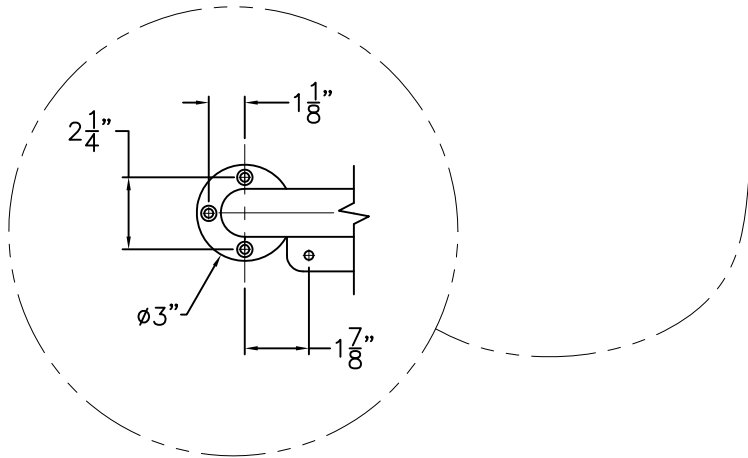


① **MODEL# 1109-3-L SHOWN**  
**MODEL# 1109-3-R OPPOSITE**



**MODEL# 1109-2**



MODEL #	DIM "A"	QTY. HOLES
1109-1	24"	4
1109-2	30"	5
1109-4	36"	5
1109-5	42"	5
1109-6	48"	5
1109-7	18"	4

**INSTALLATION INSTRUCTIONS:**

NOTE: ENSURE ADEQUATE WALL BACKING IS PROVIDED FOR INSTALLATION.

- A- DETERMINE DESIRED LOCATION FOR GRAB BAR ①.
- B- USE MOUNTING HOLES ON GRAB BAR AS A TEMPLATE TO MARK LOCATIONS FOR WALL ANCHORS BY OTHERS ②.
- C- INSTALL WALL ANCHORS BY OTHERS ②.
- D- FASTEN GRAB BAR ① TO WALL USING ANCHORING SCREWS ③ PROVIDED.

**NOTE:**

REFER TO CURRENT ADA GUIDELINES AND/OR LOCAL CODE AUTHORITY FOR COMPLETE ACCESSIBILITY INSTALLATION REQUIREMENTS.

<p>WHITEHALL MANUFACTURING P.O. BOX 3527 Industry, CA 91744 15125 Proctor Ave Industry, CA 91746 (626) 968-6681 FAX (626) 855-4862</p>	<b>TITLE</b> <b>LIGATURE RESISTANT GRAB BARS #1109</b>		
	<b>MANUFACTURE DATE</b>  <b>OCTOBER 2012</b>  <b>TO PRESENT</b>	<b>DATE ISSUED</b>  <b>11/09/12</b>	<b>DRAWING NUMBER</b>  <b>9918-121-001</b>
		<b>DATE REVISED</b>  <b>10/22/13</b>	