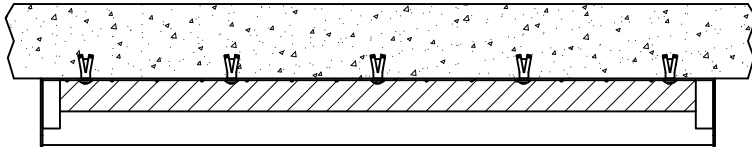
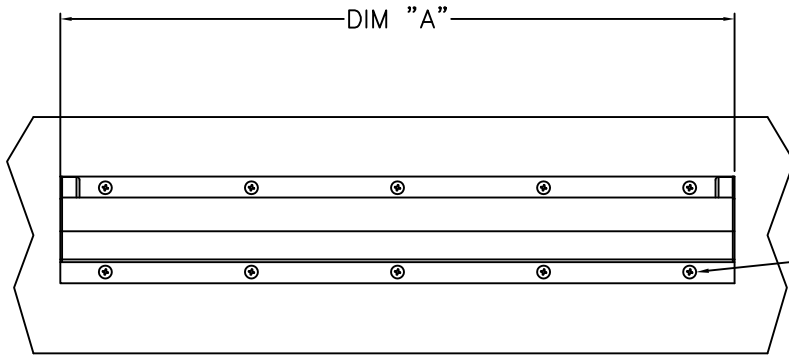




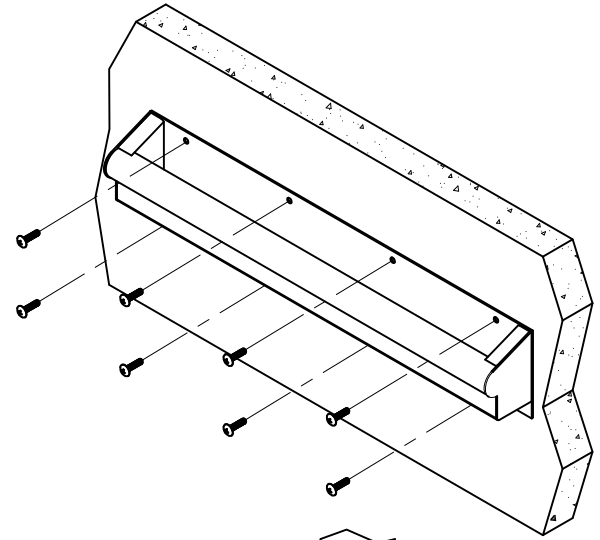
REFER TO LOCAL CODES FOR COMPLETE INSTALLATION REQUIREMENTS



TOP VIEW

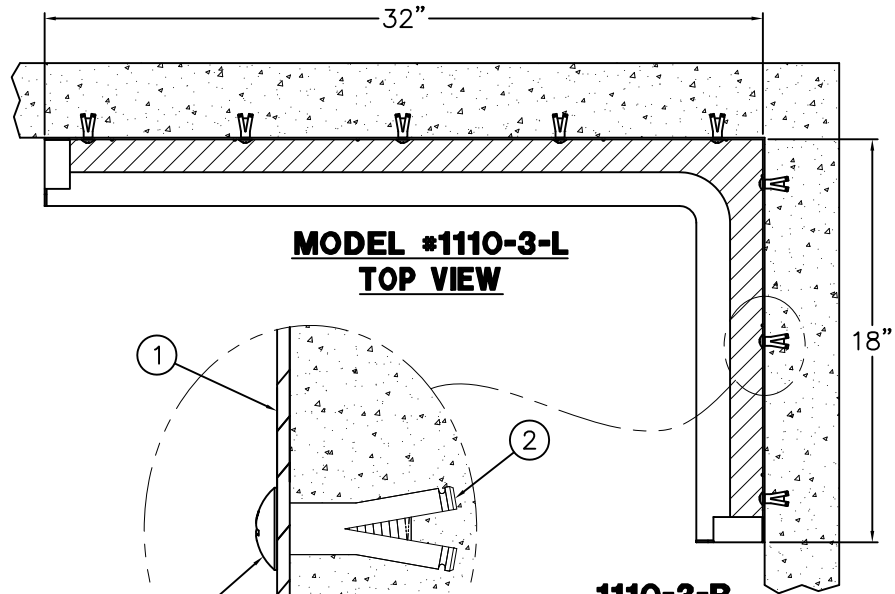


FRONT VIEW



SIDE VIEW

| MODEL # | DIM "A" | QTY. HOLES |
|---------|---------|------------|
| 1110-1 | 24" | 8 |
| 1110-2 | 30" | 10 |
| 1110-4 | 36" | 12 |
| 1110-5 | 42" | 14 |
| 1110-6 | 48" | 16 |
| 1110-7 | 18" | 8 |

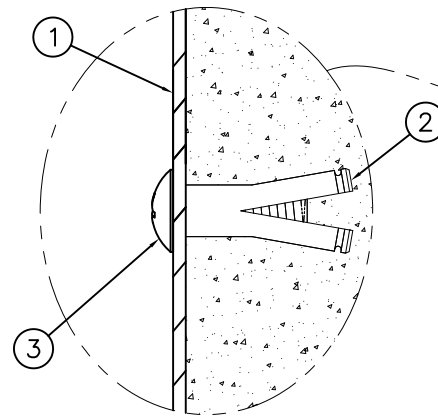


MODEL #1110-3-L TOP VIEW

1110-3-R OPPOSITE

INSTALLATION INSTRUCTIONS:

- A- INSURE ADEQUATE IN-WALL BACKING EXISTS
- B- USE PUNCHED MOUNTING HOLES IN FIXTURE (1) AS A TEMPLATE TO LOCATE MOUNTING HOLES
- C- INSTALL WALL ANCHORS (2) (BY OTHERS).
- D- FASTEN FIXTURE (1) TO WALL USING SCREWS (3) (BY OTHERS).



MOUNTING DETAIL



WHITEHALL MANUFACTURING
P.O. BOX 3527 Industry, CA 91744
15125 Proctor Ave Industry, CA 91746
(626) 968-6681 FAX (626) 855-4862

TITLE **LIGATURE RESISTANT GRAB BARS #1110 SERIES**

MANUFACTURE DATE
NOVEMBER 2012
TO PRESENT

DATE ISSUED
11/06/12
DATE REVISED
10/23/13 A

DRAWING NUMBER
9918-122-001