



## Penal-Ware® 1418 Series 18" Lav-Toilet Comby with Lavatory Oval Bowl



1418-CT-2-BP-04-FV-PHLF



1418-AL-2-BP-04-FV-PHC

Fixture May Show Some Available Options

Please visit [www.acorneng.com](http://www.acorneng.com) for most current specifications.

### 18" Lav-Toilet Comby with Lavatory Oval Bowl

**Fixture** is arranged to be installed on finished wall and serviced from an accessible pipe chase. Optional Wall Sleeve or Metal Template is recommended for all installations for required wall openings. Fixture is fabricated from 14 gage, type 304 stainless steel cabinet and toilet bowl and is seamless welded construction with a satin finish. The inside of the toilet bowl also has a satin finish. Cabinet interior is sound-deadened with fire-resistant material. There are no accessible voids or crevices where contraband can be concealed.

**Lavatory Oval Bowl** is 14-3/4" x 9-1/2" x 5" deep. Standard elbow waste outlet is 1-1/2" O.D. plain end.

**Optional Valve** may be an Air-Control pneumatically operated, pushbutton valve using atmospheric air. Pushbutton is vandal-resistant and requires less than 5 pounds to activate valve. Valve is direct acting, non-metering type and is optionally available as metering with non-hold open feature. Metering valve timing is adjustable from 5 to 60 seconds. Valve includes a 0.5 GPM flow control and can be remotely located up to 10 feet from the operating pushbutton. Valve and bubbler conform with lead free requirements of NSF61, Section 9 and CHSC 116875.

**Toilet** is blowout jet type with elongated bowl manufactured to ASME A112.19.3 and CSA B45.4 requirements and will flush with a minimum of 25 PSI flow pressure when used in conjunction with a minimum of 1.6 GPF. Trap has a minimum 3-1/2" seal and will pass a 2-1/8" ball. Toilet waste outlet is 2-3/8" diameter plain end extending 3" beyond the fixture for wall outlet or Gasketed Waste for floor outlet.

**Regularly Furnished** items include a fast drain, an integral self-draining soap dish, and mounting hardware.

#### GUIDE SPECIFICATION

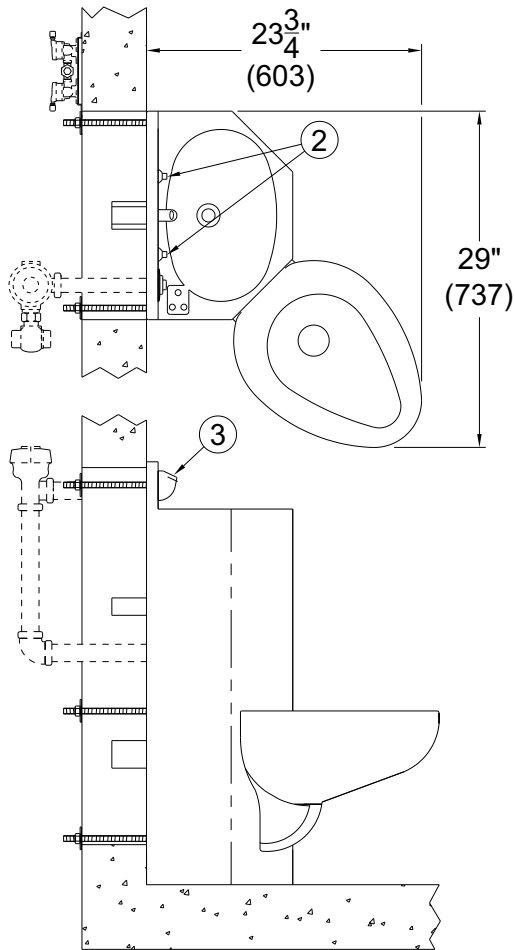
Provide and install Acorn Penal-Ware 18" wide Lav-Toilet Comby (specify model number and options). Fixture shall be fabricated from type 304 stainless steel. Construction shall be seamless welded and exposed surfaces shall have a satin finish. Countertop shall have an air-circulating, self-draining soap dish. Provide Air-Control pneumatically operated pushbutton valve. Valve and bubbler conform with lead free requirements of NSF61, Section 9 and CHSC 116875. Toilet shall be concealed blowout jet type with an elongated bowl, a self-draining flushing rim, and an integral contoured seat. Toilet shall meet ASME A112.19.3 and CSA B45.4 requirements and will flush with a minimum of 25 PSI flow pressure when used in conjunction with a minimum of 1.6 GPF. Toilet trap shall have a minimum 3-1/2" seal that shall pass a 2-1/8" diameter ball and be fully enclosed. Cabinet interior is sound-deadened with fire-resistant material. Fixture shall withstand loadings of 5,000 pounds without permanent damage. Fixture shall be furnished with necessary fasteners for proper installation.

# Penal-Ware® 1418: 18" Lav-Toilet Comby with Lavatory Oval Bowl

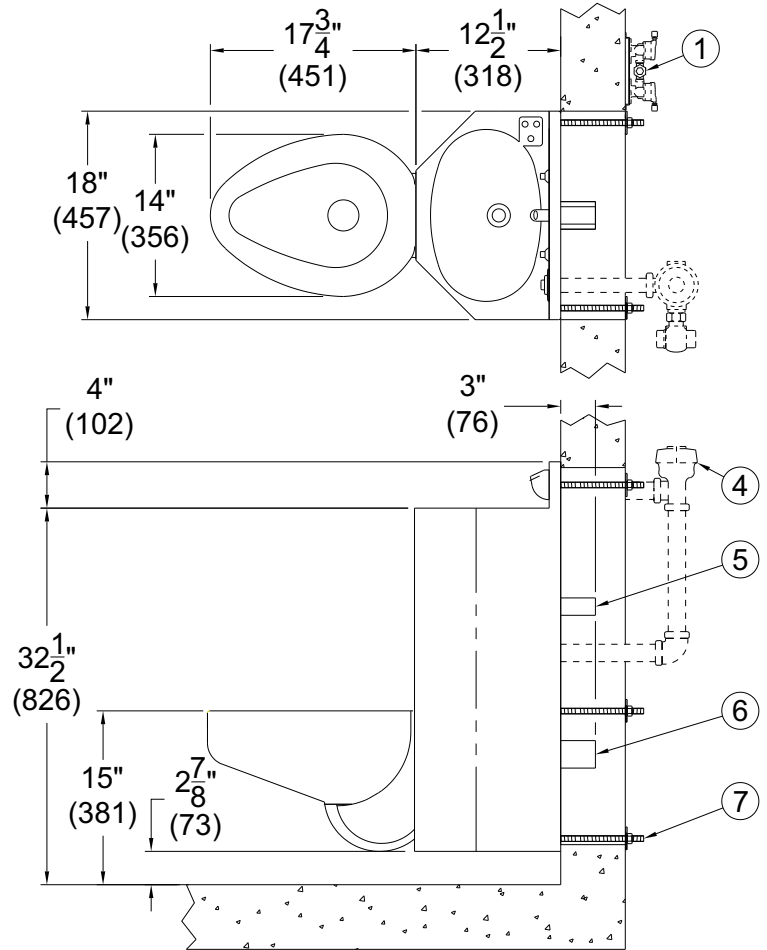


**NOTES:**

- 1. -04 Hot & Cold Air-Control Valve Shown
- 2. Lavy Valve Pushbuttons
- 3. Lavy -BP Penal Bubbler Shown
- 4. Optional -FV Flush Valve Shown
- 5. Lavy Waste Outlet
- 6. Toilet Waste Outlet
- 7. Wall Mounting Hardware



1418-AL-2-BP-04 SHOWN (-AR OPPOSITE)



1418-CT-1-BP-04

**Important:** Installation instructions and current rough-in are furnished with each fixture. Do not rough in without certified dimensions. Dimensions are subject to manufacturer's tolerance of plus or minus 1/4" and change without notice. Acorn assumes no responsibility for use of void or superseded data. © Copyright 2009 Acorn Engineering Company

Selection Summary	
Model No. & Option	_____
Quantity	_____

Approved for Manufacturing	
Company	_____ Title _____
Signature	_____ Date _____

# Penal-Ware® 1418: 18" Lav-Toilet Comby with Lavatory Oval Bowl



## WALL THICKNESS AND TYPE (Must Specify)

Thickness: \_\_\_\_\_ Type:  Concrete  Block  Steel

## MODEL AND OPTIONS SELECTION:

### BASE MODEL NUMBER

1418 18" Lav-Toilet Comby

### TOILET ORIENTATION (Must Specify)

- AL Angled Left  
 -AR Angled Right  
 -CT Centered Toilet

### FIXTURE MOUNTING AND WASTE (Must Specify)

- 1 Off-Floor, Wall Outlet  
 -2 On-Floor, Wall Outlet  
 -3 On-Floor, Floor Outlet

### BUBBLER SELECTION (Must Specify)

- BC Bubbler, Code  
 -BP Bubbler, Penal  
 -BPH Bubbler, Penal Hemispherical  
 -LF Lav-Filler

### VALVE SELECTION (Must Specify)

- 03 Air-Control, Single Temp, Non-Metering  
 -03-M Air-Control, Single Temp, Metering  
 -04 Air-Control, Hot & Cold, Non-Metering  
 -04-M Air-Control, Hot & Cold, Metering  
 -9 Punched for Valve by Others (Specify Punching)  
 -EVS1 Electronic Valve System - Single Temp  
 -EVSP1 Electronic Valve Sys. w/ Piezo Pushbutton  
 -EVS2 Electronic Valve System - Hot & Cold  
 -EVSP2 Electronic Valve Sys. w/ Piezo Pushbuttons  
 -MA Manifolded Valve  2  3  4  
 -MH Metering, Hot Side Only  
 -MVC1 Time-Trol - Single Temp  
 -MVC1-BAT Time-Trol - Single Temp Battery Operated (Batteries Not Included)  
 -MVC2 Time-Trol - Hot & Cold  
 -MVC2-BAT Time-Trol - Hot & Cold Battery Operated (Batteries Not Included)  
 -PPZ1 Programmable Piezo Button - Single Temp w/ 9VDC Plug-In Transformer  
 -PPZ2 Programmable Piezo Button - Hot & Cold w/ 9VDC Plug-In Transformer

### FLUSH VALVE GPF's (Must Specify)

- 1.28 GPF (HET)  
 -1.6 GPF  
 -3.5 GPF

### FLUSH VALVE OPTIONS (Must Specify)

- EVSFV Electronic Flush Valve  
 -EVSPFV Electronic Flush Valve w/ Piezo Pushbutton  
 -FV Flush Valve, Mechanical  
 -FVBO Flush Valve by Others  
 -FVH Flush Valve, Hydraulic  
 -MVCFV Time-Trol Electronic Flush Valve

### CABINET OPTIONS

- FMT Fixture Mounted Trim  
 -IS Integral Shelf  
 -PH Paper Holder  L  R  C  LF  RF  
 -TB Toothbrush Holder  Left  Right  
 -TG 12 Gage Cabinet  
 -TH Towel Hook  Single  Double  Left  Right  
 -VG1 Vent Grille, 5-3/4" x 8-3/4"  L  R  LF  RF  
 -VG2 Vent Grille, 8-3/4" x 13" (Bottom Only)(-1 Only)

### LAVATORY WASTE OPTIONS

- CW Combined Waste  
 -LW1 Lavy Thru-Wall Extension with P-Trap  
 -LWE Lavy Waste Extension (3" Standard) Specify Length Beyond Fixture: \_\_\_\_\_  
 -OF Lavatory Overflow  
 -PT 1-1/2" Removable P-Trap Waste

### TOILET OPTIONS

- CO1 Cleanout w/ 2-3/8" OD O-Ring Connection to No-Hub 4" (Plain End Only, Not Applicable with -GW or -3 Floor Outlet)  
 -CO1-3 Cleanout w/ 2-3/8" OD O-Ring Connection to No-Hub 3" (Plain End Only, Not Applicable with -GW or -3 Floor Outlet)  
 -COH Cleanout Hook Assembly  
 -COH Flood-Trol  
 -FTA Flood-Trol, Auto-Reset  
 -FTE Flood-Trol, Electronic  
 -FVO Flush Valve Opposite In Lieu of Standard Location  
 -FVT Flush Valve Thru Wall Connector  
 -GW Gasketed Toilet Waste (Wall Outlet)  
 -HET High Efficiency Toilet Design  
 -HPS High Polish Seat #7 Finish  
 -HS Hinged Seat  
 -PC Pinned Cleanout Plug (For -CO1 Options above)  
 -SPS Suicide Prevention Skirt  
 -TSC Toilet Shipping Cover  
 -TWE Toilet Waste Extension (3" Standard) Specify Length Beyond Fixture: \_\_\_\_\_  
 -WO3B 2-3/8" P-Trap w/ 3" Plain End Waste Outlet

### VALVE OPTIONS

- BRS Brass Body Valve  
 -CI Cycle Interrupt for Time-Trol Valves  
 -PBH Hemispherical Pushbutton  
 -PBP Pushrod Activated Pushbutton  
 -TF Transformer, 120VAC to 24VAC (-MVC option only)

### PRODUCT OPTIONS

- EG Enviro-Glaze Color Specify: \_\_\_\_\_ Toilet Interior & Exterior  
 -EGE Enviro-Glaze Color Specify: \_\_\_\_\_ Toilet Exterior Only  
 -LPFV Less Punching for Flush Valve  
 -MT Metal Template (Only 1 Required Per Project)  
 -SW Wall Sleeve  
 -VAC AcornVac System

Please visit [www.acorneng.com](http://www.acorneng.com) for most current specifications.

<b>Important:</b> Installation instructions and current rough-in are furnished with each fixture. Do not rough in without certified dimensions. Dimensions are subject to manufacturer's tolerance of plus or minus 1/4" and change without notice. Acorn assumes no responsibility for use of void or superseded data. © Copyright 2009 Acorn Engineering Company	
<p style="text-align: center;">Selection Summary</p> <p>Model No. &amp; Option _____</p> <p>Quantity _____</p>	<p style="text-align: center;">Approved for Manufacturing</p> <p>Company _____ Title _____</p> <p>Signature _____ Date _____</p>