



## Penal-Ware® 1418FA Series 18" Lav-Toilet Comby with Lavatory Oval Bowl - Front Access



1418FA-CT-2-BP-04

Fixture May Show Some Available Options

Please visit [www.acorneng.com](http://www.acorneng.com) for most current specifications.

### 18" Lav-Toilet Comby with Lavatory Oval Bowl - Front Access

Fixture is arranged to be installed on finished wall through access panels. Panels are located on front and side of cabinet and are secured with tamper-resistant screws. Front Access fixtures are available as On-Floor models only. Back of fixture is provided with six mounting points as well as supply and waste connections. Fixture is fabricated from 14 gage, type 304 stainless steel cabinet and toilet bowl polished to a satin finish. The inside of the toilet bowl also has a satin finish. Optional Wall Sleeve is recommended to provide greater access to make up plumbing connections.

**Lavatory Oval Bowl** is 14-3/4" x 9-1/2" x 5" deep. Standard P-trap waste outlet is 1-1/2" O.D. plain end.

**Toilet** is blowout jet type with elongated bowl manufactured to ASME A112.19.3 and CSA B45.4 requirements and will flush with a minimum of 25 PSI flow pressure when used in conjunction with a minimum of 1.6 GPF. Trap has a minimum 3-1/2" seal and will pass a 2-1/8" ball. Toilet waste outlet is Gasketed Waste.

**Optional Valve** may be an Air-Control pneumatically operated, pushbutton valve using atmospheric air. Pushbutton is vandal-resistant and requires less than 5 pounds to activate valve. Valve is direct acting, non-metering type and is optionally available as metering with non-hold open feature. Metering valve timing is adjustable from 5 to 60 seconds. Valve includes a 0.5 GPM flow control. Valve and bubbler conform with lead free requirements for NSF61, Section 9 and CHSC 116875.

**Regularly Furnished** items include a hydraulic flush valve, a fast drain, a removable P-trap, an integral self-draining soap dish, and mounting hardware. Wall anchors by others.

#### GUIDE SPECIFICATION

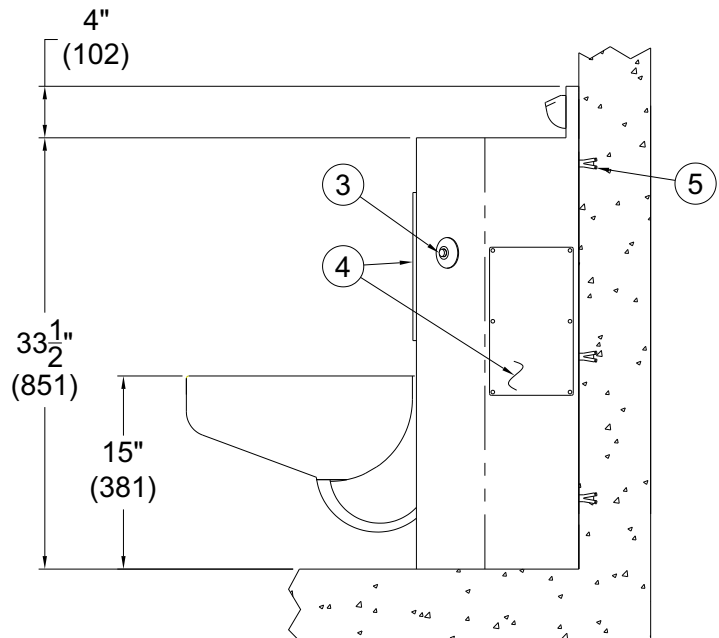
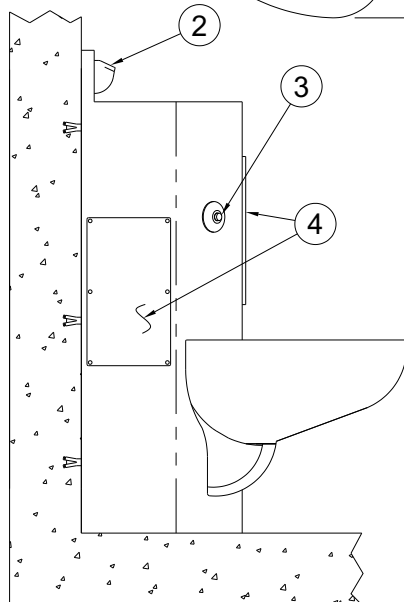
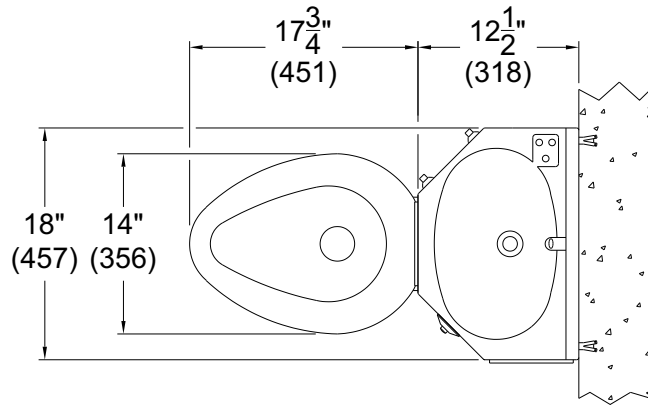
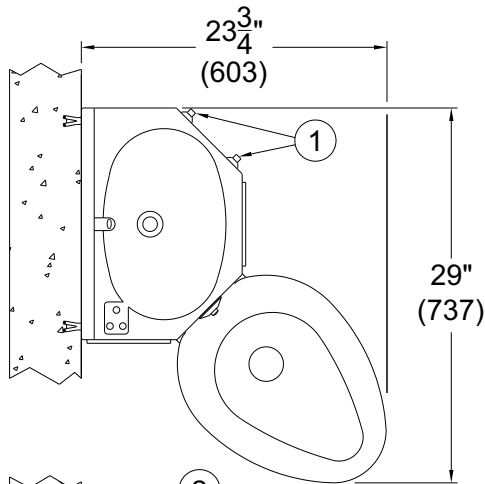
Provide and install Acorn Penal-Ware 18" wide Lav-Toilet Comby - Front Access (specify model number and options), arranged to be installed on finished wall through access panels. Fixture shall have factory installed Air-Control lavatory valve and a hydraulic flush valve. Provide Air-Control pneumatically operated pushbutton valve. Valve and bubbler conform with lead free requirements for NSF61, Section 9 and CHSC 116875. Fixture shall be fabricated from type 304 stainless steel. Construction shall be seamless welded and exposed surfaces shall have a satin finish. Access panels shall be secured with tamper-resistant screws. Countertop shall have an air-circulating, self-draining soap dish. Toilet shall be concealed blowout jet type with an elongated bowl, a self-draining flushing rim, and an integral contoured seat. Toilet shall meet ASME A112.19.3 and CSA B45.4 requirements and will flush with a minimum of 25 PSI flow pressure when used in conjunction with a minimum of 1.6 GPF. Toilet trap shall have a minimum 3-1/2" seal that shall pass a 2-1/8" diameter ball and be fully enclosed. Cabinet interior is sound-deadened with fire-resistant material. Fixture shall withstand loadings of 5,000 pounds without permanent damage. Fixture shall be furnished with necessary fasteners for proper installation.

**Penal-Ware® 1418FA:** 18" Lav-Toilet Comby with Lavatory Oval Bowl - Front Access



**NOTES:**

1. -04 HOT & COLD LAVY PUSHBUTTONS SHOWN
2. LAVY -BP PENAL BUBBLER SHOWN
3. HYDRAULIC FLUSH VALVE PUSHBUTTON SHOWN
4. ACCESS PANELS
5. WALL MOUNTING ANCHORS (BY OTHERS)



1418FA-AL-2-BP-04 SHOWN (-AR OPPOSITE)

1418FA-CT-2-BP-04

<p><b>Important:</b> Installation instructions and current rough-in are furnished with each fixture. Do not rough in without certified dimensions. Dimensions are subject to manufacturer's tolerance of plus or minus 1/4" and change without notice. Acorn assumes no responsibility for use of void or superseded data. © Copyright 2009 Acorn Engineering Company</p>	
<p style="text-align: center;">Selection Summary</p> <p>Model No. &amp; Option _____</p> <p>Quantity _____</p>	<p style="text-align: center;">Approved for Manufacturing</p> <p>Company _____ Title _____</p> <p>Signature _____ Date _____</p>

# Penal-Ware® 1418FA: 18" Lav-Toilet Comby with Lavatory Oval Bowl - Front Access



## WALL THICKNESS AND TYPE (Must Specify)

Thickness: \_\_\_\_\_ Type:  Concrete  Block  Steel

## MODEL AND OPTIONS SELECTION:

### BASE MODEL NUMBER

1418FA 18" Lav-Toilet Comby - Front Access

### TOILET ORIENTATION (Must Specify)

- AL Angled Left
- AR Angled Right
- CT Centered Toilet

### FIXTURE MOUNTING AND WASTE (Must Specify)

- 2 On-Floor, Wall Outlet
- 3 On-Floor, Floor Outlet

### BUBBLER SELECTION (Must Specify)

- BC Bubbler, Code
- BP Bubbler, Penal
- BPH Bubbler, Penal Hemispherical
- LF Lav-Filler

### VALVE SELECTION (Must Specify)

- 03 Air-Control, Single Temp, Non-Metering
- 03-M Air-Control, Single Temp, Metering
- 04 Air-Control, Hot & Cold, Non-Metering
- 04-M Air-Control, Hot & Cold, Metering
- 9 Punched for Valve by Others (Specify Punching)
- EVS1 Electronic Valve System - Single Temp
- EVSP1 Electronic Valve Sys. w/ Piezo Pushbutton
- EVS2 Electronic Valve System - Hot & Cold
- EVSP2 Electronic Valve Sys. w/ Piezo Pushbuttons
- MH Metering, Hot Side Only
- MVC1 Time-Trol - Single Temp
- MVC1-BAT Time-Trol - Single Temp Battery Operated (Batteries Not Included)
- MVC2 Time-Trol - Hot & Cold
- MVC2-BAT Time-Trol - Hot & Cold Battery Operated (Batteries Not Included)
- PPZ1 Programmable Piezo Button - Single Temp w/ 9VDC Plug-In Transformer
- PPZ2 Programmable Piezo Button - Hot & Cold w/ 9VDC Plug-In Transformer

### FLUSH VALVE GPF's (Must Specify)

- 1.28 GPF (HET)
- 1.6 GPF
- 3.5 GPF

### FLUSH VALVE OPTIONS (Must Specify)

- EVSFV Electronic Flush Valve
- EVSPFV Electronic Flush Valve w/ Piezo Pushbutton
- FVBO Flush Valve by Others
- FVH Flush Valve, Hydraulic
- MVCFV Time-Trol Electronic Flush Valve

### CABINET OPTIONS

- FMT Fixture Mounted Trim
- IS Integral Shelf
- PH Paper Holder  L  R  LF  RF
- TB Toothbrush Holder  Left  Right
- TG 12 Gage Cabinet
- TH Towel Hook  Single  Double  Left  Right
- VG1 Vent Grille, 5-3/4" x 8-3/4"  L  R  LF  RF

### LAVATORY WASTE OPTIONS

- CW Combined Waste
- OF Lavatory Overflow

### TOILET OPTIONS

- FT Flood-Trol (Manual Reset)
- FTA Flood-Trol Auto-Reset
- FTE Flood-Trol Electronic
- HET High Efficiency Toilet Design
- HPS High Polish Seat #7 Finish
- HS Hinged Seat
- SPS Suicide Prevention Skirt
- TSC Toilet Shipping Cover

### VALVE OPTIONS

- BRS Brass Body Valve
- CI Cycle Interrupt for Time-Trol Valves
- PBH Hemispherical Pushbutton
- TF Transformer, 120VAC to 24VAC (-MVC option only)

### PRODUCT OPTIONS

- EG Enviro-Glaze Color Specify: \_\_\_\_\_ Toilet Interior & Exterior
- EGE Enviro-Glaze Color Specify: \_\_\_\_\_ Toilet Exterior Only
- LPFV Less Punching for Flush Valve
- MT Metal Template (Only 1 Required Per Project)
- SW Wall Sleeve
- VAC AcornVac System

Please visit [www.acorneng.com](http://www.acorneng.com) for most current specifications.

<p><b>Important:</b> Installation instructions and current rough-in are furnished with each fixture. Do not rough in without certified dimensions. Dimensions are subject to manufacturer's tolerance of plus or minus 1/4" and change without notice. Acorn assumes no responsibility for use of void or superseded data. © Copyright 2009 Acorn Engineering Company</p>	
<p style="text-align: center;">Selection Summary</p> <p>Model No. &amp; Option _____</p> <p>Quantity _____</p>	<p style="text-align: center;">Approved for Manufacturing</p> <p>Company _____ Title _____</p> <p>Signature _____ Date _____</p>