



Penal-Ware® 1449 Series ADA 2010 Compliant - Lav/Toilet Comby - Offset Toilet Bowl



1449-LO-2-BPH-PBH-04-DMB-BPH

Fixture May Show Some Available Options

Please visit www.acorneng.com for most current specifications.

ADA 2010 Compliant Lav/Toilet Comby - Offset Toilet Bowl

Fixture is arranged to be installed on finished wall and serviced from an accessible pipe chase. Fixture is seamless welded construction and polished to a satin finish. Fixture cabinet and toilet is fabricated of 14 gage, type 304 stainless steel and polished to a satin finish. The inside of the toilet bowl also has a satin finish. Cabinet interior is sound deadened with fire-resistant material. Access panel is provided to service lavy valve pushbuttons. Optional Wall Sleeve or Metal Template is recommended for all installations to provide required wall openings. Unit complies with ANSI, UFAS, and ADA 2010 requirements regarding toilet and lavatory fixtures. Compliance is subject to the interpretation and requirements of the local code authority

Lavatory 'D' Bowl is 15-1/4" x 12-1/2" x 4" deep. Standard P-trap waste outlet is 1-1/2" O.D. plain end.

Spout selections are located on the deck to the rear of the bowl with valve controls located to the right and/or left of the DMS spout or DMB bubbler option.

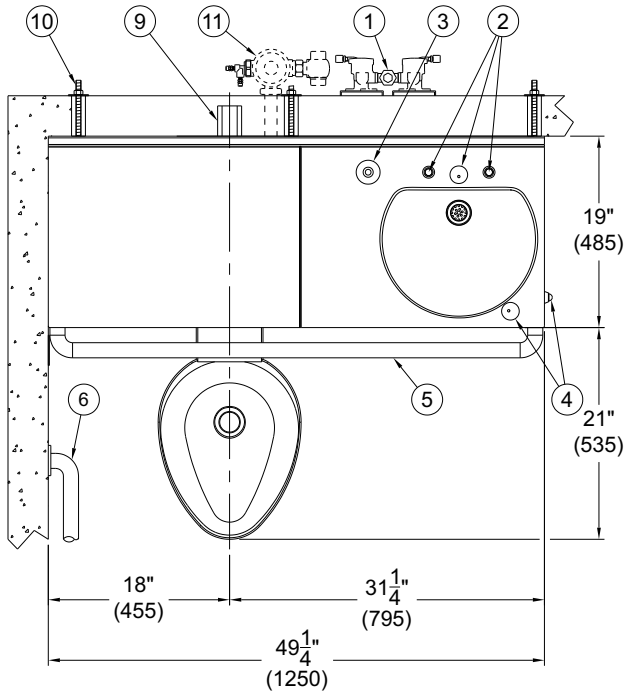
Optional Valve may be an Air-Control pneumatically operated, pushbutton valve with 1.4 GPM flow control for the DMS spout option and 0.70 GPM flow control for the DMB bubbler spout options. Pushbutton requires less than 5 lbs. to activate valve. Valve is metering, non-hold open type. Timing is adjustable from 5 to 60 seconds. Valve can be remotely located up to 10 feet from the operating pushbutton. Valve and bubbler conform with the lead free requirements for NSF61, section 9, 1997 and Federal Public Law 111-380.

Toilet is blowout jet type with elongated bowl manufactured to ASME A112.19.3-2008 and CSA B45.4-2008 requirements and will flush with a minimum of 25 PSI flow pressure when used in conjunction with a minimum of 1.6 GPF. Trap has a minimum 3-1/2" seal and will pass a 2-1/8" ball. Toilet waste outlet is 2-3/8" diameter plain end extending 3" beyond the back of fixture for wall outlet and Gasket Waste for floor outlet. Unit is provided with Suicide Resistant Skirt (SPS optional on other fixtures).

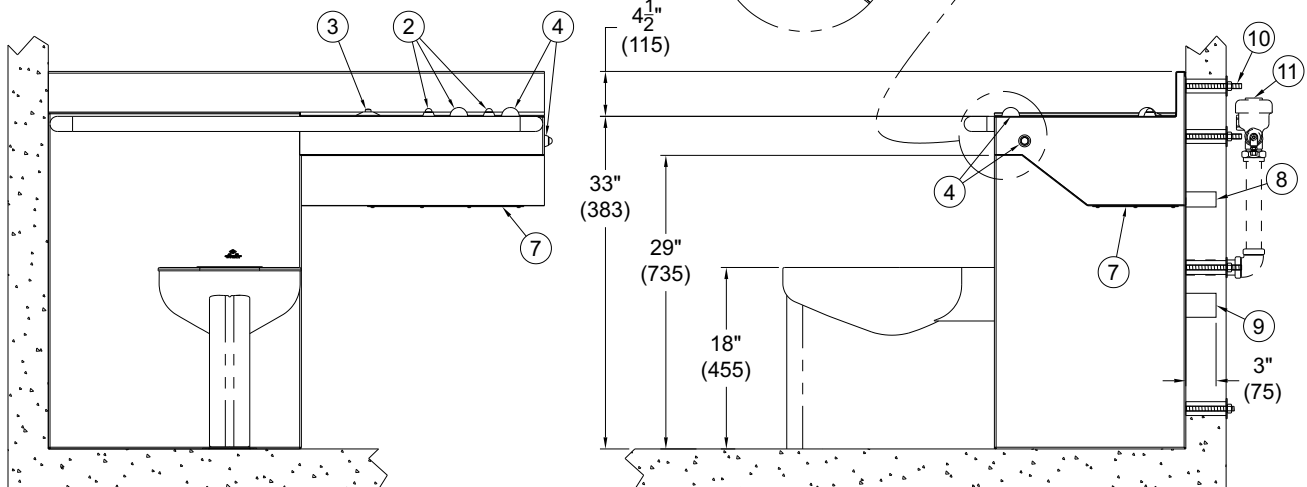
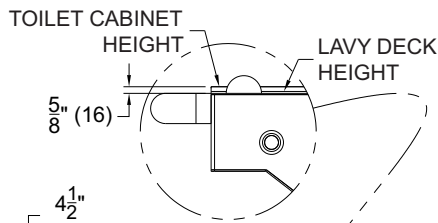
Grab Bar is heavy gage type 304 stainless steel construction, 1-1/2" diameter, extends the width of the fixture and measures 47-3/8" long from center to center. Grab bar is positioned behind toilet and is integral to the cabinet.

GUIDE SPECIFICATION

Provide and install Acorn Penal-Ware ADA Compliant Lav/Toilet-Comby-Offset Toilet Bowl (specify model number and options). Fixture shall be fabricated from type 304 stainless steel. Construction shall be seamless welded and exposed surfaces shall have a satin finish. Provide 36" minimum long stainless steel grab bar to be located behind toilet. Fixture shall have an Air-Control pneumatically operated, metering, non-hold open pushbutton valve. Valve shall require less than 5 lbs. to activate. Valve and bubbler conform with lead free requirements for NSF61, section 9, 1997 and Federal Public Law 111-380. Toilet shall be concealed blowout jet type with an elongated bowl, a self-draining flushing rim, and an integral contoured seat. Toilet shall meet ASME A112.19.3-2008 and CSA B45.4-2008 requirements and will flush with a minimum of 25 PSI flow pressure when used in conjunction with a minimum of 1.6 GPF. Toilet trap shall have a minimum 3-1/2" seal that shall pass a 2-1/8" diameter ball and be fully enclosed. Cabinet interior is to be sound deadened with fire-resistant material. Fixture shall withstand loadings of 5,000 pounds without permanent damage. Fixture shall be furnished with necessary fasteners for proper installation.



1. OPTIONAL -04-M AIR-CONTROL VALVE
2. DECK MOUNTED SPOUT & PUSHBUTTONS OPTIONS
3. HYDRAULIC FLUSH VALVE PUSHBUTTON
4. OPTIONAL DMB-BPH DRINKING BUBBLER & PUSHBUTTON
5. GRAB BAR
6. 42" LONG GRAB BAR BY OTHERS
7. ACCESS PANEL
8. 1-1/2" OD LAVY WASTE OUTLET
9. 2-3/8" OD TOILET WASTE OUTLET
10. WALL MOUNTING HARDWARE
11. CHASE MOUNTED FLUSH VALVE, HYDRAULIC SHOWN



Penal-Ware® 1449: ADA 2010 Compliant Lav/Toilet Comby - Offset Toilet Bowl



WALL THICKNESS AND TYPE (Must Specify)

Thickness: _____ Type: Concrete Block Steel

MODEL AND OPTIONS SELECTION:

BASE MODEL NUMBER

1449 49" Lav-Toilet Comby

TOILET ORIENTATION (Must Specify)

-LO Left Offset
 -RO Right Offset

FIXTURE MOUNTING AND WASTE (Must Specify)

-2 On-Floor, Wall Outlet
 -3 On-Floor, Floor Outlet
 w/ Gasket Waste Outlet

SPOUT SELECTION (Must Specify)

-DMS Deck Mounted Spout
 -DMB Deck Mounted Bubbler (In Lieu of Spout)
 -BC Bubbler, Code
 -BP Bubbler, Penal
 -BPH Bubbler, Penal Hemispherical

VALVE SELECTION (Must Specify)

-03-M Air-Control, Single Temp, Metering
 -04-M Air-Control, H & C, Metering
 -9 Punched for Valve by Others (Specify Punching)
 -EVS1 Electronic Valve System - Single Temp
 -EVSP1 Electronic Valve System - Single Temp w/ Piezo Button
 -EVS2 Electronic Valve System - Hot & Cold
 -EVSP2 Electronic Valve System - Hot & Cold w/ Piezo Buttons
 -MVC1 Time-Trol - Single Temp
 -MVC1-BAT Time-Trol - Single Temp, Battery Operated (Batteries Not Included)
 -MVC2 Time-Trol - Hot & Cold
 -MVC2-BAT Time-Trol - Hot & Cold, Battery Operated (Batteries Not Included)
 -PPZ1 Programmable Piezo Button - Single Temp
 -PPZ2 Programmable Piezo Button - Hot & Cold

FLUSH VALVE GPF (Must Specify)

-1.28 GPF (HET)
 -1.6 GPF
 -3.5 GPF

FLUSH VALVE OPTIONS (Must Specify)

-EVSFV Electronic Flush Valve
 -EVSPFV Electronic Flush Valve w/ Piezo Pushbutton
 -FVBO Flush Valve By Others
 -FVH Flush Valve, Hydraulic
 -MVCFV Time-Trol Electronic Flush Valve

CABINET OPTIONS

-FMT Fixture Mounted Trim
 -GBC Grab Bar Closure Plate
 -LGB Less Grab Bar
 -PH Paper Holder, not ADA Compliant (Opposite Toilet/Offset Orientation)
 -TB Toothbrush Holder Single Hole (Installed on lavy side of unit)
 -TG 12 Gage Cabinet
 -TH Towel Hook, Single Double (Installed on lavy side of unit)
 -VG3 Vent Grille 8-3/4" x 8-3/4"

LAVATORY WASTE OPTIONS

-CW Combined Waste
 -LWE Lavy Waste Extension (3" Standard) Specify Length Beyond Fixture: _____
 -OF Lavatory Overflow

TOILET OPTIONS

-CO1 Cleanout w/ 2-3/8" OD O-Ring Connection to No-Hub 4" (Plain End Only, Not applicable with -GW)
 -CO1-3 Cleanout w/ 2-3/8" OD O-Ring Connection to No-Hub 3" (Plain End Only, Not applicable with -GW)
 -COH Cleanout Hook Assembly
 -FT Flood-Trol (Manual Reset)
 -FTA Flood-Trol Auto-reset
 -FTE Flood-Trol Electronic
 -FVT Flush Valve Thru Wall Connector
 -GW Gasketed Toilet Waste (Wall Outlet)
 -HET High Efficiency Toilet Design
 -HPS High Polished Seat
 -PC Pinned Cleanout Plug (For CO1 Options above)
 -TSC Toilet Shipping Cover
 -TWE Toilet Waste Extension, (3" Standard) Specify Length Beyond Fixture: _____
 -WO3B 2-3/8" P-Trap w/ 3" Plain End Waste Outlet

VALVE OPTIONS

-BRS Brass Body Valve
 -CI Cycle Interrupt for Time-Trol Valves
 -MA Manifoldd Valve 2 3 4
 -PBH Hemispherical Pushbutton
 -TF Transformer, 120VAC to 24VAC

PRODUCT OPTIONS

-EG Enviro-Glaze, Specify Color: _____
 Toilet Exterior Only
 Toilet Interior & Exterior
 -DMB Deck Mounted Drinking Bubbler (Cold water only) Not applicable with -03-M tempered supply
 -BP Penal Style
 -BC Code Style
 -BPH Penal Hemispherical Style
 -LPFV Less Punching for Flush Valve
 -MT Metal Template (Only 1 required per project)
 -SW Wall Sleeve
 -VAC AcornVac Systems

Please visit www.acorneng.com for most current specifications.

<p>Important: Installation instructions and current rough-in are furnished with each fixture. Do not rough in without certified dimensions. Dimensions are subject to manufacturer's tolerance of plus or minus 1/4" and change without notice. Acorn assumes no responsibility for use of void or superseded data. © Copyright 2009 Acorn Engineering Company</p>	
<p style="text-align: center;">Selection Summary</p> <p>Model No. & Options _____</p> <p>Quantity _____</p>	<p style="text-align: center;">Approved for Manufacturing</p> <p>Company _____ Title _____</p> <p>Signature _____ Date _____</p>