



Penal-Ware® 1650 Series 20" Rectangular Lavatory



1650-1-BP-04-LOB

1650-1-BP-04

Fixture May Show Some Available Options

Please visit www.acorneng.com for most current specifications.

20" Rectangular Lavatory

Fixture is arranged to be installed on finished wall and serviced from an accessible pipe chase. Optional Wall Sleeve or Metal Template is recommended on all installations for required wall openings.

Cabinet is fabricated from 14 gage, type 304 stainless steel and is seamless welded construction with a satin finish. Cabinet interior is sound-deadened with fire-resistant material. There are no accessible voids or crevices where contraband can be concealed.

Lavatory Rectangular Bowl is 14-1/2" x 9-1/2" x 5" deep. Optional Oval Bowl is 14-3/4" x 9-1/2" x 5" deep. Standard elbow waste outlet is 1-1/2" O.D. plain end and extends 3" minimum beyond the rear of the fixture.

Optional Valve is an pneumatically operated, pushbutton Air-Control valve using atmospheric air. Pushbutton is vandal-resistant and requires less than 5 pounds to activate valve. Valve is direct acting, non-metering type and is optionally available as metering with non-hold open feature. Metering valve timing is adjustable from 5 to 60 seconds. Valve includes a 0.5 GPM flow control and can be remotely located up to 10 feet from the operating pushbutton. Valve and Bubbler conforms with lead free requirements of NSF61, Section 9, 1997 and CHSC 116875.

Regularly Furnished items include a fast drain, an integral self-draining soap dish, and mounting hardware for walls up to 8" thick.

GUIDE SPECIFICATION

Provide and install Acorn Penal-Ware 20" wide Rectangular Lavatory (specify model number and options). Fixture shall be fabricated from 14 gage, type 304 stainless steel. Construction shall be seamless welded and exposed surfaces shall have a satin finish. Countertop shall have an air-circulating, self-draining soap dish. Provide Air-Control pneumatically operated pushbutton valve. Valve and Bubbler conforms with lead free requirements of NSF61, Section 9, 1997 and CHSC 116875. Cabinet bottom shall be enclosed and have no accessible voids and crevices where contraband can be concealed. Cabinet interior is sound-deadened with fire-resistant material. Fixture shall withstand loadings of 5,000 pounds without permanent damage. Fixture shall be furnished with necessary fasteners for proper installation.



Penal-Ware® 1650: 20" Rectangular Lavatory

WALL THICKNESS AND TYPE (Must Specify)

Thickness: _____ Type: Concrete Block Steel

MODEL AND OPTIONS SELECTION:

BASE MODEL NUMBER

1650 20" Rectangular Lavatory

FIXTURE MOUNTING AND WASTE (Must Specify)

-1 Off-Floor, Wall Outlet

BUBBLER SELECTION (Must Specify)

- BC Bubbler, Code
- BP Bubbler, Penal
- BPH Hemispherical Penal Bubbler
- LF Lav-Filler

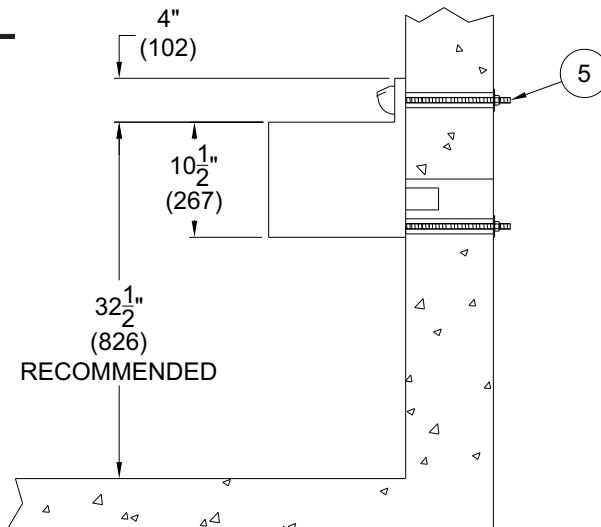
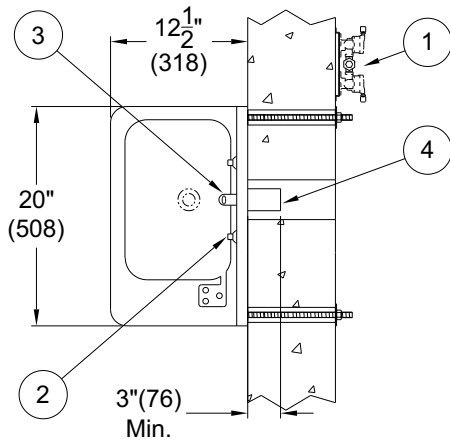
VALVE SELECTION (Must Specify)

- 03 Air-Control, Single Temp, Non-Metering
- 03-M Air-Control, Single Temp, Metering
- 04 Air-Control, H & C, Non-Metering
- 04-M Air-Control, H & C, Metering
- 9 Punched for Valve by Others (Specify Punching)
- EVS1 Electronic Valve System - Single Temp
- EVSP1 Electronic Valve Sys w/ Piezo Pushbutton
- EVS2 Electronic Valve System - Hot & Cold
- EVSP2 Electronic Valve Sys w/ Piezo Pushbuttons
- MA Manifolded Valve 2 3 4
- MH Metering, Hot Side Only
- MVC1 Time-Trol - Single Temp
- MVC1-BAT Time-Trol - Single Temp Battery Operation (Batteries Not Included)
- MVC2 Time-Trol - Hot & Cold
- MVC2-BAT Time-Trol - Hot & Cold Battery Operation (Batteries Not Included)
- PPZ1 Programmable Piezo Button - Single Temp
- PPZ2 Programmable Piezo Button - Hot & Cold

PRODUCT OPTIONS (Must Specify)

- BRS Brass Body Valve
- CI Cycle Interrupt for Time-Trol Valves
- EG Enviro-Glaze, Specify Color: _____
- FMT Fixture Mounted Trim
- IS Integral Shelf
- LOB Lavatory Oval Bowl
- LW1 Lavy Thru-Wall Extension with P-Trap
- LWE Lavy Waste Extension (3" Standard) Specify Length Beyond Fixture: _____
- MT Metal Template (Only 1 Required Per Project)
- OF Lavatory Overflow
- PBH Hemispherical Pushbutton
- PBP Pushrod Activate Pushbutton
- PH Integral Paper Holder Left Right
- PT P-Trap Waste
- SW Wall Sleeve
- TB Toothbrush Holder Left Right
- TF Transformer (for up to 12 solenoids)
- TG 12 Gage Cabinet
- TH Towel Hook Single Double Left Right
- VAC Acorn-Vac System
- VG3 Vent Grille 8-3/4" x 8-3/4" Left Right
- VG4 Vent Grille 8-3/4" x 17" (Bottom Only)

Please visit www.acorneng.com for most current specifications.



1650-1-BP-04

NOTES:

1. -04 Air-Control Valve.
2. Lavy Valve Pushbuttons.
3. Lavy Bubbler.

4. Lavy Waste Outlet.
5. Wall Mounting Hardware.

<p>Important: Installation instructions and current rough-in are furnished with each fixture. Do not rough in without certified dimensions. Dimensions are subject to manufacturer's tolerance of plus or minus 1/4" and change without notice. Acorn assumes no responsibility for use of void or superseded data. © Copyright 2009 Acorn Engineering Company</p>	
<p style="text-align: center;">Selection Summary</p> <p>Model No. & Option _____</p> <p>Quantity _____</p>	<p style="text-align: center;">Approved for Manufacturing</p> <p>Company _____ Title _____</p> <p>Signature _____ Date _____</p>