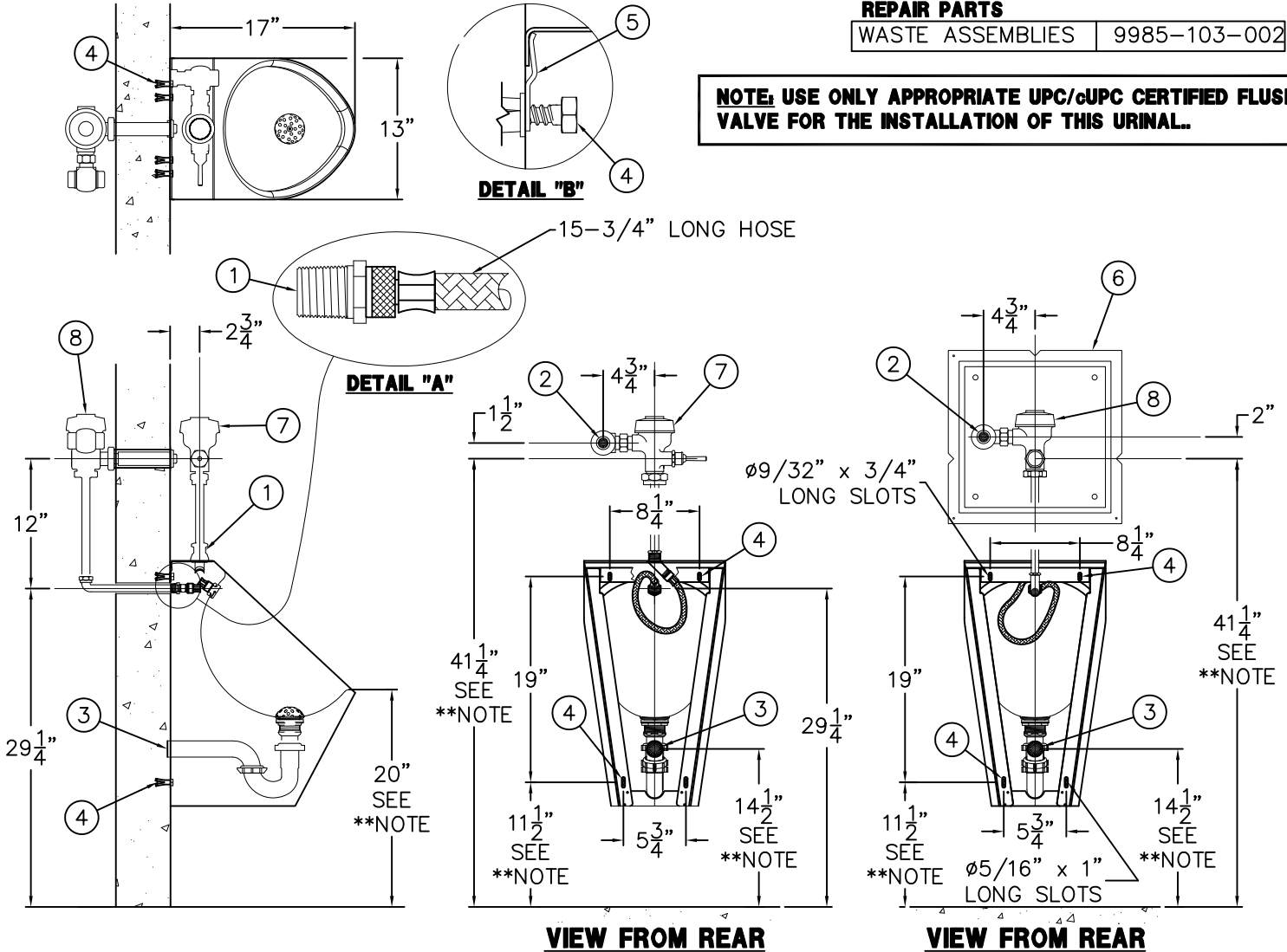




REPAIR PARTS

WASTE ASSEMBLIES 9985-103-002

NOTE: USE ONLY APPROPRIATE UPC/øUPC CERTIFIED FLUSH VALVE FOR THE INSTALLATION OF THIS URINAL.



INSTALLATION INSTRUCTIONS:

- A- ROUGH-IN FOR THE FOLLOWING:
 - 3/4" NPT FOR FLUSHING INLET (1). (MALE ADAPTER WITH FLEXIBLE HOSE PROVIDED FOR -W WALL SUPPLY MODELS, DETAIL "A").
 - 3/4" NPT FLUSH VALVE INLET (2) WHEN -FV FLUSH VALVE IS PROVIDED.
 - WASTE OUTLET 1-1/2" SLIP JOINT (3).
 - MOUNTING POINTS (4) AS SHOWN FOR ANCHORING HARDWARE BY OTHERS.
- B- FOR OPTIONAL VALVE ACCESS PANELS (6), FOR CONCEALED FLUSH VALVE INSTALLATION REFER TO DRAWING #9908-399-001.
- C- ANCHOR S-CLIP (5) TO WALL WITH ANCHORING HARDWARE BY OTHERS (4) (DETAIL "B". PLACE URINAL ABOVE S-CLIP AND AGAINST WALL, SLIDE HOUSING DOWN TO ENGAGE S-CLIP (5). SECURE LOWER WALL ANCHORS (4) BY OTHERS.
- D- MAKE UP WASTE CONNECTION (3).

- E- FOR OPTIONAL -FV FLUSH VALVE:
 - CONNECT FLUSH VALVE AS REQUIRED FOR EXPOSED (7) OR CONCEALED (8) INSTALLATION PER MANUFACTURERS' RECOMMENDATIONS. -W WALL SUPPLY FLUSH VALVE, ACCESS FOR CONNECTION AND SERVICING FLUSH VALVE IS REQUIRED.

NOTE: FOR SUFFIX OPTION -ADA UNITS, REFER TO ADA ACCESSIBILITY GUIDELINES FOR COMPLETE INSTALLATION REQUIREMENTS. ALL VERTICAL DIMENSIONS INDICATED **DECREASE PROPORTIONATELY WITH ADA RIM HEIGHT: FOR ADA RIM HEIGHT OF 17", WASTE OUTLET BECOMES 11-1/2" AFF.

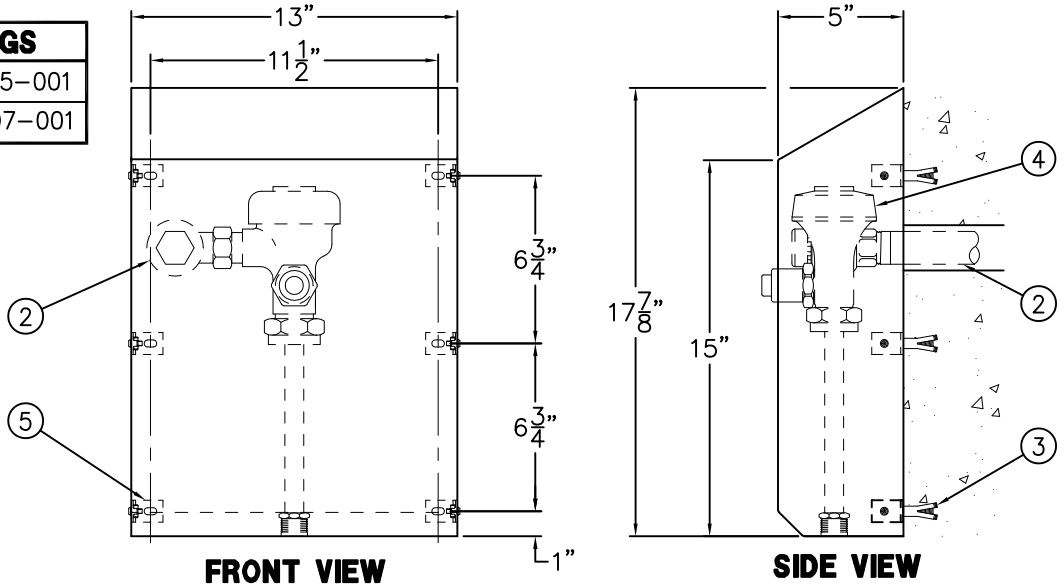
- 1- ADA FLUSH VALVE MUST BE HYDRAULICALLY ACTUATED OR SUPPLIED WITH A SPECIAL HANDLE. MAXIMUM CONTROL HEIGHT IS 44" ABOVE FINISHED FLOOR.
- 2- ADA REQUIRES A RIM HEIGHT OF 17" MAXIMUM AFF.

ACORN ENGINEERING COMPANY
 P.O. BOX 3527 INDUSTRY, CA. 91744
 (626) 336-4561 FAX (626) 961-2200

TITLE DURA-WARE URINAL, #2158-FM (FRONT MOUNT)		
MANUFACTURE DATE APRIL 2009	DATE ISSUED 04/10/09	DRAWING NUMBER 9908-304-001
TO PRESENT	DATE REVISED 07/22/13	

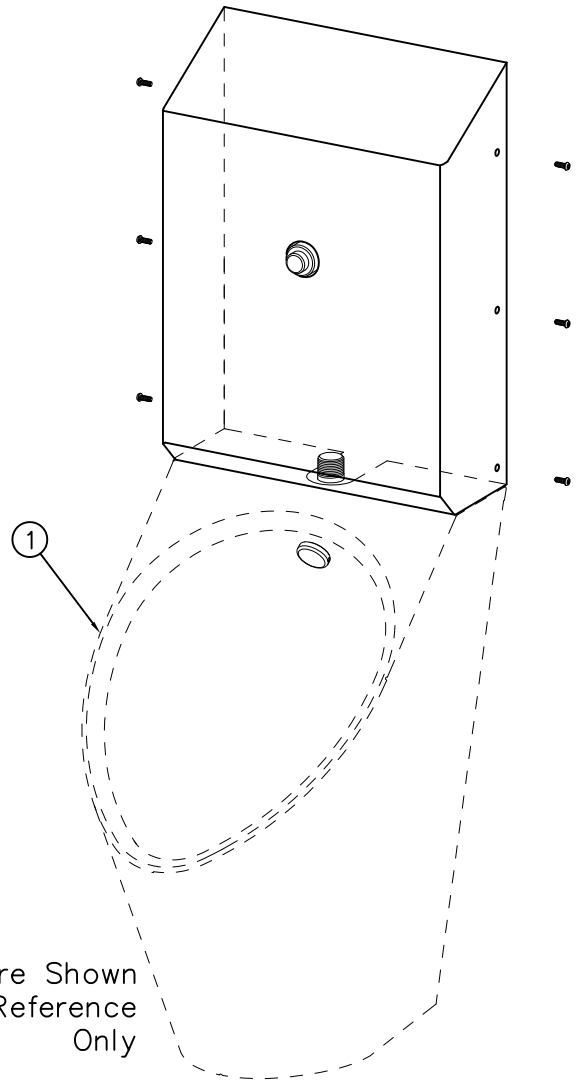
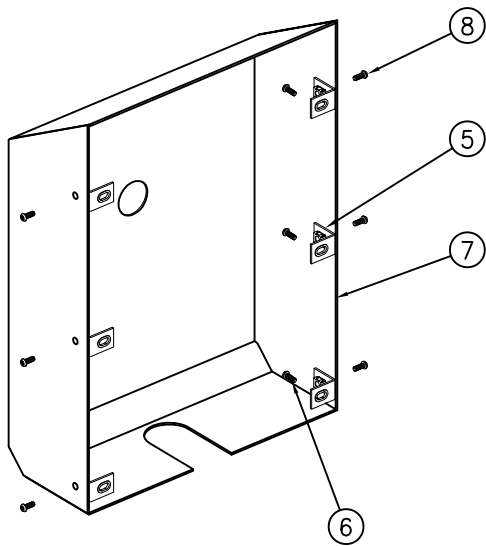


REFERENCE DRAWINGS	
SECURITY SCREWS	9951-005-001
TINNERMAN NUTS	9908-007-001



NOTE:

FLUSH VALVE COVER FOR MODELS 2158-T & 1709HEU ONLY



INSTALLATION INSTRUCTIONS:

- A- MOUNT FIXTURE ① TO WALL.
- B- ROUGH-IN FOR FLUSH VALVE SUPPLY ② REFER TO FIXTURE INSTALLATION INSTRUCTIONS.
- C- LOCATE AND INSTALL WALL ANCHORS (BY OTHERS) ③.
- D- INSTALL FLUSH VALVE ④ TO FIXTURE ①.
- E- ATTACH MOUNTING CLIPS ⑤ TO WALL USING MOUNTING SCREWS ⑥ (BY OTHERS).
- F- ATTACH FLUSH VALVE COVER ⑦ TO MOUNTING CLIPS ⑤ USING #10-32 SCREWS ⑧ PROVIDED.



ACORN ENGINEERING COMPANY
 P.O. BOX 3527 Industry, CA 91744
 15125 Proctor Ave Industry, CA 91746
 (626) 336-4561 FAX (626) 961-2200

TITLE **SLOPING TOP FLUSH VALVE COVER *2802-SLPT (MODEL *2158/1709HEU ONLY)**

MANUFACTURE DATE
FEBRUARY 1975
TO PRESENT

DATE ISSUED
04/15/13
 DATE REVISED

DRAWING NUMBER
9908-393-001