



Replace-Ware® 3330 Series Blowout Jet Toilet - Off Floor Replacement



3331-W-1

Fixture May Show Some Available Options

Please visit www.acorneng.com for most current specifications.

Blowout Jet Toilet - Off Floor Replacement

This Blowout Jet Toilet is available for Front Mounting or Rear Mounting on a finished wall. Fixture is designed to replace a variety of existing toilets, including but not limited to the following manufacturers model numbers:

ALUMINUM PLUMBING FIXTURE CORP. (Super Secur): Walbol A-300.

AMERICAN STANDARD: Instanto 2512, Instanto 2511, Instanto 2513.

CRANE: Rapidway 3-460, Rapidway 3-462, Rapidway 3-464.

ELJER: Tacoma 111-0355, Tacoma 111-0365.

KOHLER: Stratton K-4450-ET, Sifton K-4460-ER, Suffield K-4475-ER.

Toilet Bowls are fabricated from 14 gage, type 304 stainless steel and are seamless welded construction. Wall flange is structurally reinforced. Exterior is satin finish, with an integral contoured toilet seat. The inside of the toilet bowl has a matte finish. There are no accessible voids or crevices where contraband can be concealed.

Toilet is blowout jet type with elongated bowl manufactured to ASME A112.19.3-2008 and CSA B45.4-2008 standards. Toilet requires a minimum of 25 PSI flow pressure and uses a minimum water consumption of 1.28 GPF. Trap has a minimum 3-1/2" seal and will pass a 2-1/8" ball. Toilet waste outlet is a gasketed waste.

GUIDE SPECIFICATION

Provide and install Acorn Replace-Ware Blowout Jet Toilet (specify model number and options). Toilet bowl shall be fabricated from 14 gage, type 304 stainless steel. Construction shall be seamless welded and exposed surfaces shall have a satin finish. Toilet shall be concealed blowout jet type with an elongated bowl, a self-draining flushing rim and an integral contoured seat. Toilet shall be ASME A112.19.3-2008 and CSA B45.4-2008 compliant. Toilet requires a minimum of 25 PSI flow pressure and uses a minimum water consumption of 1.28 GPF. Toilet trap shall have a minimum 3-1/2" seal that shall pass a 2-1/8" diameter ball and be fully enclosed. No fasteners are provided.



Replace-Ware®: 3330 Blowout Jet Toilet - Off Floor Replacement

WALL THICKNESS AND TYPE (Must Specify)

Thickness: _____ Type: Concrete Block Steel

MODEL NUMBER AND OPTIONS SELECTION:

BASE MODEL NUMBER

- 3330 Blowout Jet Toilet (Rear Mounted Replacement)
- 3331 Blowout Jet Toilet (Front Mounted Replacement)

SUPPLY (Must Specify)

- T Top (Exposed)
- W Wall (Concealed)

FIXTURE MOUNTING AND WASTE (Must Specify)

- 1 Off-Floor, Wall Outlet

FLUSH VALVE GPFs (Must Specify)

- HET 1.28 GPF
- ULF 1.6 GPF
- 3.5 GPF

FLUSH VALVE OPTIONS (Must Specify)

Refer to Acorn Dura-Ware Supplementary for Box Cover(s) and Access Panel(s)

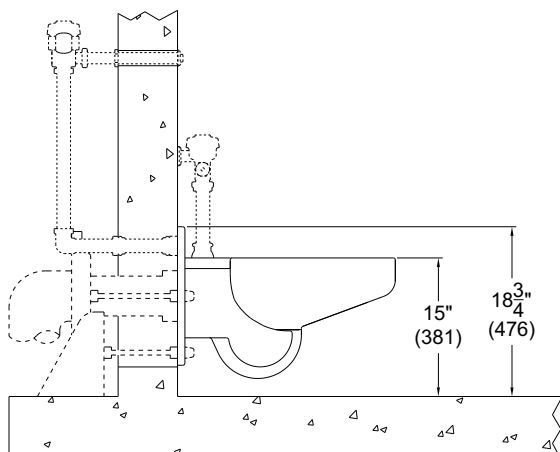
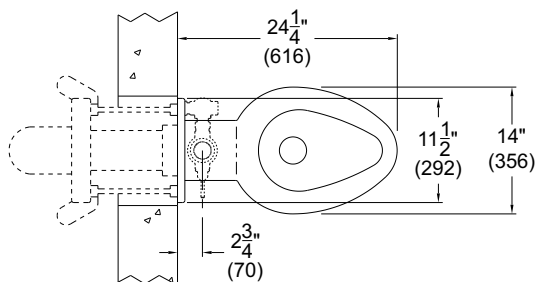
- EVSVF Master-Trol Flush Valve (N/A for Top Supply)
- FV Flush Valve, Mechanical (N/A for ADA)
- FVBO Flush Valve by Others
- FVH Flush Valve, Hydraulic (N/A for Top Supply)
- FVL Flush Valve, ADA Lever Handle
- MVCFV Time-Trol Flush Valve (N/A for Top Supply)

PRODUCT OPTIONS (Must Specify)

(Refer to Penal-Ware Options for additional options)

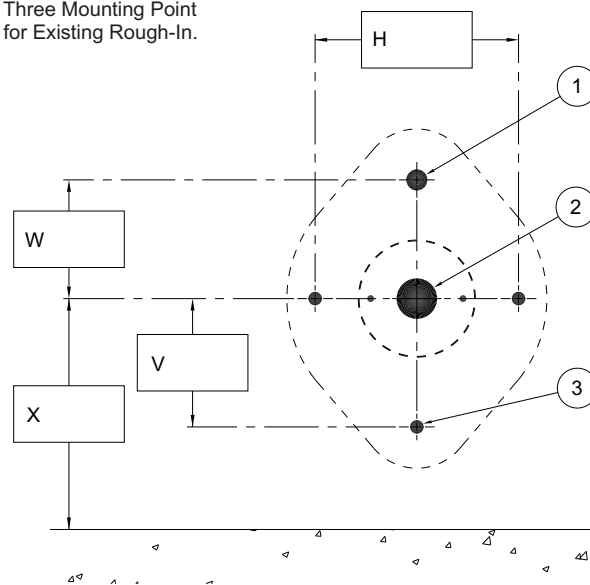
- 3395 Anchoring Assembly
- ADA ADA Compliant - 18" Integral Seat Height
- BCN Blind Cap Nuts
- BL Bedpan Lugs
- CI Cycle Interrupt for Time-Trol Valves (3) Cap Nut (Front Mount Only)
- CN Cleanout w/O-Ring to No-Hub 4" (-PE & Rear Mount Only)
- CO1 Cleanout w/O-Ring to No-Hub 3" (-PE & Rear Mount Only, N/A with WO3)
- CO1-3 Cleanout Hook Assembly (-PE & Rear Mount Only)
- COH Enviro-Glaze, Specify Color: _____
- EG -Toilet Exterior Only -Toilet Interior
- FT Flood-Trol (Manual Reset)
- FTA Flood-Trol Auto-reset
- FTE Flood-Trol Electronic
- FVT Flush Valve Thru Wall Connector
- HET High Efficiency Toilet Design
- HPS High Polished Seat #7 Finish
- HS Hinged Seat Open Front Less Cover (N/A with #2802 Flush Valve Cover)
- HSC Hinged Seat with Cover (N/A with #2802 Flush Valve Cover)
- PC Pinned Cleanout Plug (Only w/-PE & Rear Mount)
- PE Plain End Waste (Only w/ Rear Mount)
- PFS Punched for Hinged Seat by Others
- TF Transformer, 120VAC to 24VAC
- TSC Toilet Shipping Cover
- TWE Toilet Waste Extension (-PE & Rear Mount Only) Specify Length Beyond Fixture: _____

Please visit www.acorneng.com for most current specifications.



3331-T/W-1

- NOTES:
1. Flushing Inlet.
 2. Toilet Waste Outlet.
 3. Three Mounting Point for Existing Rough-In.



Rough-In View

<p>Important: Installation instructions and current rough-in are furnished with each fixture. Do not rough in without certified dimensions. Dimensions are subject to manufacturer's tolerance of plus or minus 1/4" and change without notice. Acorn assumes no responsibility for use of void or superseded data. © Copyright 2009 Acorn Engineering Company</p>	
<p style="text-align: center;">Selection Summary</p> <p>Model No. & Option _____</p> <p>Quantity _____</p>	<p style="text-align: center;">Approved for Manufacturing</p> <p>Company _____ Title _____</p> <p>Signature _____ Date _____</p>