

A172.8UBL Series
Barrier Free, Universal Bi-Level,
Wall Mounted Water Cooler

SUGGESTED SPECIFICATIONS

Model A172108F-UBL is a bi-level, self-contained, pressurized water cooler that shall deliver a minimum of **8.0 GPH** (30.3 LPH) of water at 50°F (10°C) cooled from 80°F (26.7°C) inlet water and 90°F (32.2°C) ambient. Unit shall be activated from an anti-microbial pushbutton in the front, using less than 5 pounds of force. Bubblers shall deliver a 0.3 GPM flow, have a flexible guard with an integrally designed non-squirt feature and operate on a water pressure range of 20-105 psig. Basins shall be constructed from 304 stainless steel and have an integral drain. Cabinets shall be either galvanized steel with granite powder coat or stainless steel. Cooling system shall use R-134a refrigerant and be capillary tube regulated. An adjustable thermostat with an off position shall regulate the refrigeration system. Unit shall be listed by Underwriters Laboratories for both the US and Canada and is compliant to the Air Conditioning and Refrigeration Institute Standard 1010. Unit is certified to ANSI A117.1, ANSI/NSF 61.9 and Public Law 111-380. Fixture meets ADA, ADA Standing Person, and ADA Child requirements when mounted appropriately.

Standard Model:
A172108F-UBL

Stainless Steel Model:
A172408F-UBL

"INDOOR USE ONLY"



Model A172108F-UBL Shown
** U.S. DESIGN PATENT PENDING



STANDARD FEATURES

- Child or Adult ADA Compliant (when properly installed)
- Universal Bi-Level -Can be installed left high or right high with no additional parts
- Granite powder coated apron and one-piece bottom wrapper
- Flexible, Low Flow, anti-microbial, anti-rotation, non-squirt bubbler
- 100 mesh inlet strainer
- Vandal resistant screws
- Individual hanging brackets provided
- Auto-stop allows cartridge and strainer service without shutting off water supply

Model Number	GPH*	Rated Watts	Full Load Amps	Approx. Shipping Weight
A172108F-UBL	8.0	400	4.4	80 lbs.
A172408F-UBL	8.0	400	4.4	80 lbs.

* GPH of 50°F water at 90°F ambient room temperature and 80°F inlet water temperature
Compressor motor operates on 115 Volt / 60 Hz single phase.



Member of
U.S. Green
Building
Council



Recyclable
Product



Water
Conserving
Product

CONFIGURING SPECIFIC MODEL NO. & OPTIONS

A172108F-UBL

Material/Finish
1 Granite (Std)
4 Stainless Steel

Bubblers
F Flexible (Std)
S Lead-Free Stainless Steel

OPTIONS (May add additional costs)

- CSC3 Concealed support carrier
- GF1 Glass filler with lever handle
- SK5 Skirt kit for upper unit
- WB3 Wall bezel, left unit high, right low
- WB4 Wall bezel, right unit high, left low
- WF1 1500 gallon capacity, NSF 42+53, 1 micron lead reduction filter
- 220V 220 volt / 50 Hz compressor

Acorn Engineering Company™ assumes no responsibility for use of void or superseded data.
© Copyright Acorn Engineering, City of Industry, CA Member of Morris Group International.
Please visit www.acorndrinkingfountains.com for most current specifications.

A172.8UBL

Date: 09/29/14

COMPLIES WITH STANDARDS



Federal Public Law 111-380 (No Lead) Test rating conditions are compliant with ARI 1010.



Member of MORRIS GROUP

ACORN
Water Coolers & Drinking Fountains
15125 Proctor Ave.
City of Industry, CA
91746 U.S.A.
Phone 800-591-9360
626-336-4561

www.acorndrinkingfountains.com

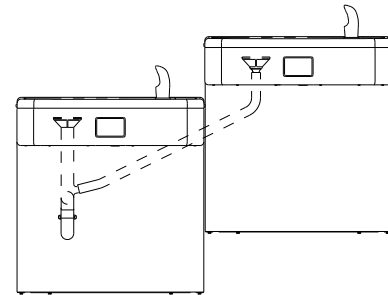
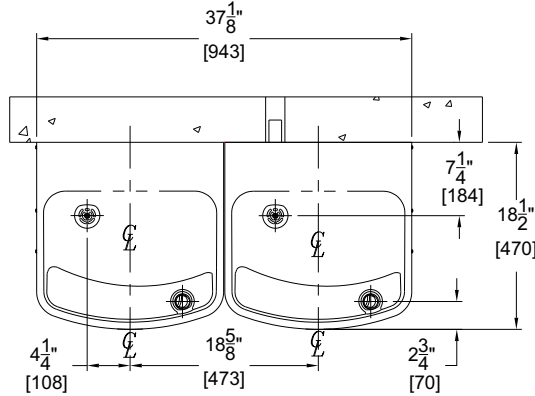
TECHNICAL DIMENSIONS

All dimensions are subject to manufacturer's tolerance of plus or minus 1/2" nominal and subject to change without notice. Acorn Engineering Company™ assumes no responsibility for use of void or superseded data. © Acorn Engineering Company®, City of Industry, CA, Member of Morris Group International™. Please visit www.acorndrinkingfountains.com for most current specifications.

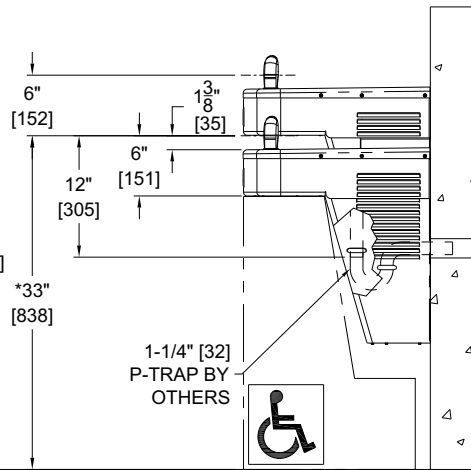
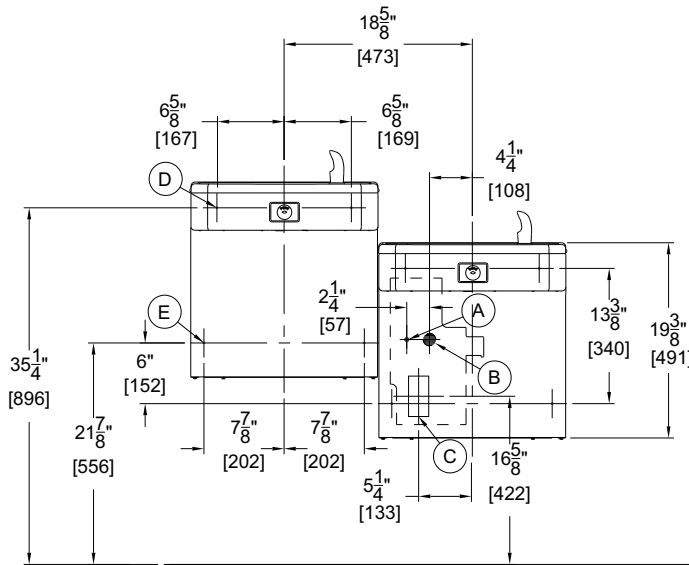
Standard Model:
A172108F-UBL

Stainless Steel Model:
A172408F-UBL

"INDOOR USE ONLY"



ALTERNATE MOUNTING CONFIGURATION



GENERAL NOTES:

1. ALL DIMENSIONS ARE IN INCHES [MM]
2. ALLOW 4 INCHES [102 MM] MINIMUM CLEARANCE PER SIDE FOR VENTILATION
- *3. DIMENSIONS SHOWN ARE FOR RECOMMENDED ADULT HEIGHT. ADJUST VERTICAL DIMENSIONS AS NECESSARY TO COMPLY WITH FEDERAL, STATE, & LOCAL CODES.
4. STOP VALVE, P-TRAP, & ELECTRICAL OUTLET NOT SUPPLIED.
5. IMPORTANT: COOLERS MUST BE ATTACHED TO WALL WITH APPROPRIATE WALL ANCHOR SCREWS.

MOUNTING CONFIGURATION AS SHIPPED

- A. 3/8" NCT SUPPLY INLET
- B. WASTE OUTLET FOR 1-1/4" P-TRAP BY OTHERS.
- C. ELECTRICAL SERVICE ROUGH.
- D. Ø3/8" HANGER BRACKET PUNCHING, 3 PLACES FOR ANCHORING HARDWARE BY OTHERS.
- E. Ø1/4" PUNCHING, 2 PLACES FOR ANCHORING HARDWARE BY OTHERS.

A172.8UBL Date: 09/29/14

Acorn Engineering Company™ warrants that its products are free from defects in material or workmanship under normal use and service for a period of one year from date of shipment. Acorn's™ liability under this warranty shall be discharged solely by replacement or repair of defective material, provided Acorn™ is notified in writing within one year from date of shipment, F.O.B. Industry, California.

SELECTION SUMMARY & APPROVAL FOR MANUFACTURING

Company _____

Model Number & Options _____ Quantity _____

Contact _____ Title _____

Signature (Approval for Manufacturing) _____

Date _____

ACORN WC&DF
Water Coolers & Drinking Fountains
Division of Acorn Engineering Company®
Member of Morris Group International™
800-591-9360
626-336-4561
www.acorndrinkingfountains.com