

INSTANT-FLOW® MICRO - LOW FLOW

INSTANT-FLOW® MICRO - LOW FLOW METRIC CHART

| MODEL | AMPS/PHASE | 1 Ø VOLTAGE | WATTS | ACTIVATION LPM | °C TEMPERATURE RISE @ | | |
|-----------|------------|-------------|-------|----------------|-----------------------|----------|----------|
| | | | | | 3.00 LPM | 4.00 LPM | 8.00 LPM |
| M-15L/277 | 15 | 277 | 4150 | 1.3 | 20 | 15 | -- |
| M-20L/120 | 20 | 120 | 2400 | 1.3 | 11 | -- | -- |
| M-20L/208 | 20 | 208 | 4160 | 1.3 | 20 | 15 | -- |
| M-20L/240 | 20 | 240 | 4800 | 1.3 | 23 | 17 | -- |
| M-20L/277 | 20 | 277 | 5540 | 1.3 | 27 | 20 | -- |
| M-30L/120 | 30 | 120 | 3600 | 1.3 | 17 | 13 | -- |
| M-30L/208 | 30 | 208 | 6240 | 1.3 | 30 | 22 | 11 |
| M-30L/240 | 30 | 240 | 7200 | 1.3 | 34 | 26 | 13 |
| M-30L/277 | 30 | 277 | 8310 | 1.3 | 40 | 30 | 15 |
| M-40L/208 | 40 | 208 | 8320 | 1.3 | 40 | 30 | 15 |
| M-40L/240 | 40 | 240 | 9600 | 1.3 | 46 | 34 | 17 |

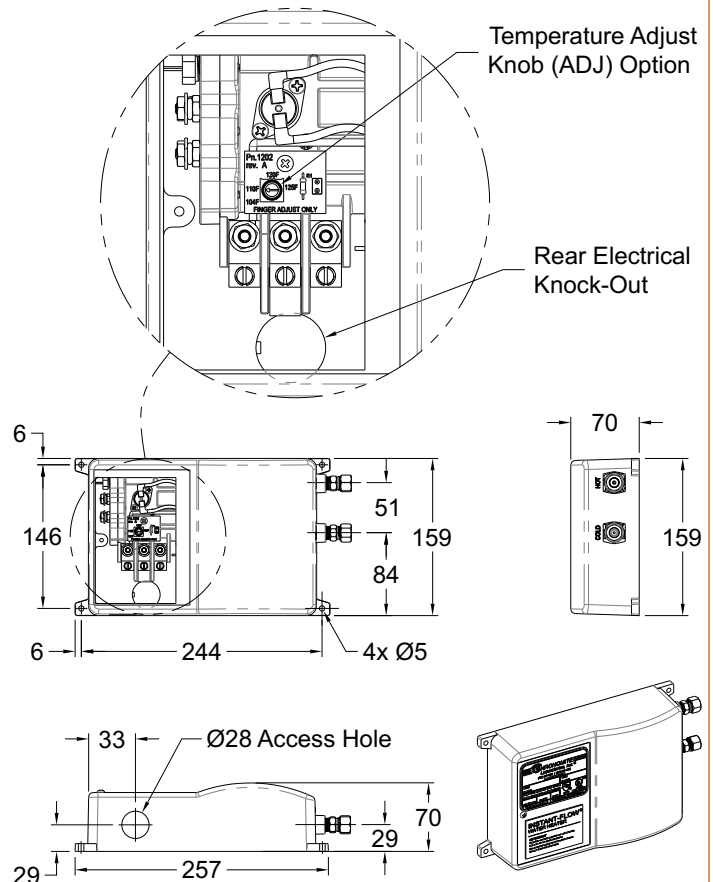
TECHNICAL DIMENSIONS

INSTANT-FLOW® MICRO - LOW FLOW

| | |
|--|--|
| Dimensions: | 159 (H) x 244 x 70mm |
| Weight: | 2.27 Kg |
| Materials: | Rugged cast aluminum housing Celcon plastic element assembly with nichrome coils |
| Housing Color: | White |
| Minimum Operating Flow Rate: | 1.3 LPM |
| Minimum Operating Pressure: | 172 kPa |
| Maximum Operating Pressure: | 552 kPa |
| Maximum Pressure: | 1034 kPa |
| Maximum Water Temperature: | 71°C |
| Maximum Ambient Operating Temperature: | 60°C |
| Listing: | UL, IAPMO, UPC, ADA, ETL |

GENERAL NOTES:

- The microprocessor adjusts the heater's power for variations in flow rates, inlet water temperature and pressure to assure the selected factory preset water temperature.
- 240V models when operated at 220V will have approximately a 15% wattage decrease.
- 120V models when operated 110V will have approximately a 15% wattage decrease.
- Instant-Flow Micro is ideal for sensor/hands-free faucets with the 40°C factory preset setting temperature ; no mixing valve needed
- Factory setting of 43°C or above require cold water mixing at the hand wash faucet.
- Microprocessor limits temperature increase according to the pre-selected temperature decrease.



Chronomite Laboratories assumes no responsibility for use of void or suspended data. © Copyright Chronomite Laboratories, Inc. Member of Morris Group International, City of Industry, CA Please visit www.chronomite.com for most current specifications.

SELECTION SUMMARY & APPROVAL FOR MANUFACTURING

Company _____

Model Number & Options _____ Quantity _____

Contact _____ Title _____

Signature (Approval for Manufacturing) _____ Date _____

CHRONOMITE
LABORATORIES, INC.

PH. 800-447-4962

626-937-4270

FAX 626-937-4279

www.chronomite.com

INSTANT-FLOW® MICRO - LOW FLOW

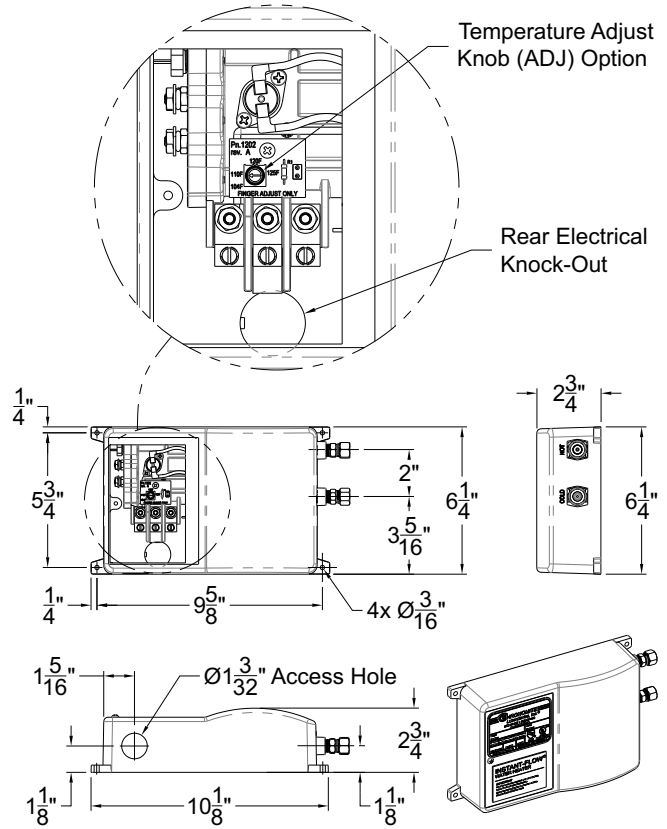
TECHNICAL DIMENSIONS

INSTANT-FLOW® MICRO - LOW FLOW

| | |
|--|--|
| Dimensions: | 6-1/4" (H) x 9-5/8" x 2-3/4" |
| Weight: | 5 lbs. |
| Materials: | Rugged cast aluminum housing Celcon plastic element assembly with nichrome coils |
| Housing Color: | White |
| Minimum Operating Flow Rate: | 0.35 GPM |
| Minimum Operating Pressure: | 25 PSI |
| Maximum Operating Pressure: | 80 PSI |
| Maximum Pressure: | 150 PSI |
| Maximum Water Temperature: | 160°F |
| Maximum Ambient Operating Temperature: | 140°F |
| Listing: | UL, IAPMO, UPC, ADA, ETL |

GENERAL NOTES:

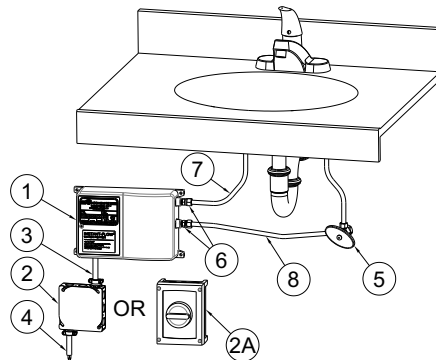
- The microprocessor adjusts the heater's power for variations in flow rates, inlet water temperature and pressure to assure the selected factory preset water temperature.
- 240V models when operated at 220V will have approximately a 15% wattage decrease.
- 120V models when operated 110V will have approximately a 15% wattage decrease.
- Instant-Flow Micro is ideal for sensor/hands-free faucets with the 104°F factory preset setting temperature ; no mixing valve needed
- Factory setting of 110°F or above require cold water mixing at the hand wash faucet.
- Microprocessor limits temperature increase according to the pre-selected temperature.



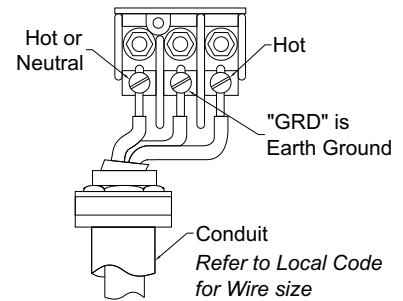
Notes:

1. Heater to be installed below the level of all hot water outlets serviced by the Heater.
2. Diagram shown with standard 3/8" Compression Fitting. Optional 1/2" NPT Male water connections available.

- 1 Instant-Flow Micro Heater
- 2 Electrical Junction Supply Box (Optional)
- 2A 2095-1 Disconnect Switch (Optional)
- 3 Electrical Supply Conduit
- 4 Electrical Supply Wire
- 5 Dual Outlet Stop, 3/8" Comp. Outlet Connections
- 6 3/8" Comp. x 1/4" NPT Fittings (supplied)
- 7 3/8" Hot Water Outlet
- 8 3/8" Cold Water Inlet



WIRING CONNECTION



ATTENTION:

Unit must be hard wired.

NOTE: Heaters are single phase. All tests are measured at the output of the heater.

Chronomite Laboratories assumes no responsibility for use of void or suspended data. © Copyright Chronomite Laboratories, Inc. Member of Morris Group International, City of Industry, CA Please visit www.chronomite.com for most current specifications.

SELECTION SUMMARY
& APPROVAL FOR
MANUFACTURING

Company _____

Model Number & Options _____ Quantity _____

Contact _____ Title _____

Signature (Approval for Manufacturing) _____ Date _____

CHRONOMITE
LABORATORIES, INC.
PH. 800-447-4962
626-937-4270
FAX 626-937-4279
www.chronomite.com