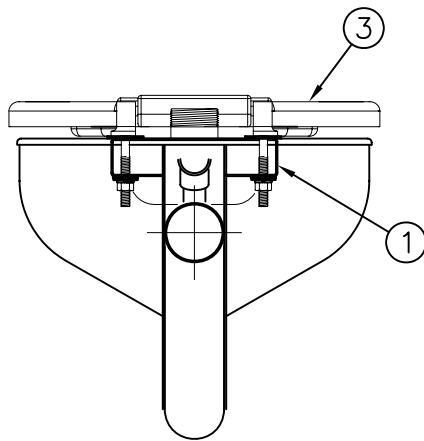
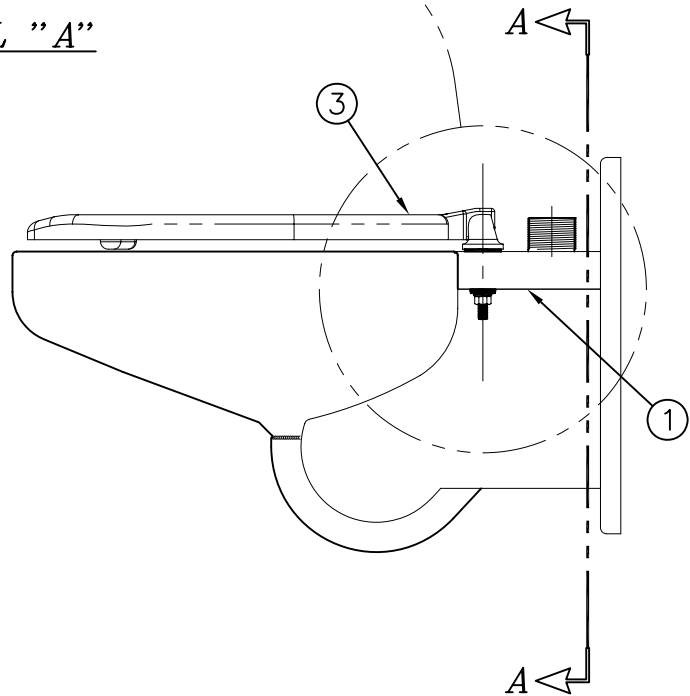


*DETAIL "A"*



*SECTION A-A*



**INSTALLATION INSTRUCTIONS-HINGED SEAT AFTER MOUNTING FIXTURE ON WALL.**

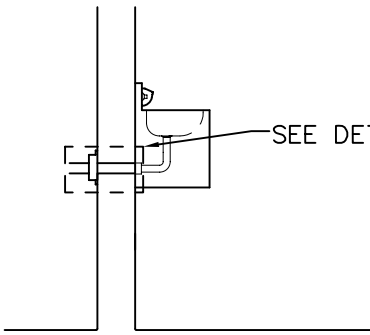
- A-LOCATE HINGED SEAT MOUNTING HOLES IN FIXTURE ①.
- B-INSERT WASHERS ② BETWEEN TOP OF TOILET AND HINGE SEAT ③.

- C-POSITION HINGED SEAT ③ ON TOP OF UNIT.
- D-ASSEMBLE HARDWARE ④ AS SHOWN IN MOUNTING DETAIL "A".

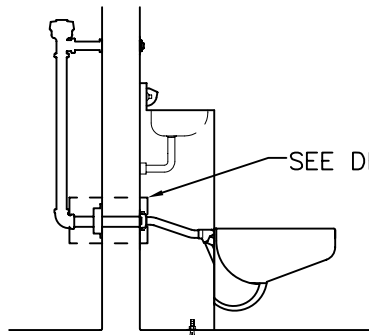


ACORN ENGINEERING COMPANY  
 P.O. BOX 3527 Industry, CA 91744  
 15125 Proctor Ave Industry, CA 91746  
 (626) 336-4561 FAX (626) 961-2200

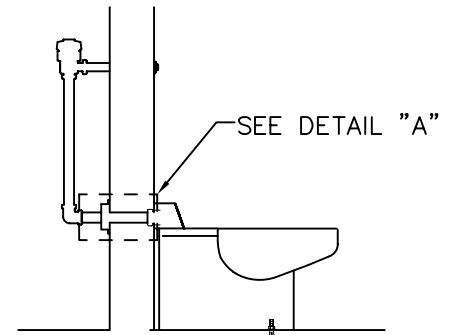
TITLE <b>-HS HINGED SEAT OPTION INSTALLATION DETAIL - TOILETS</b>		
MANUFACTURE DATE <b>APRIL 2008</b> <b>TO PRESENT</b>	DATE ISSUED <b>04/09/08</b>	DRAWING NUMBER <b>9908-415-001</b>
	DATE REVISED	



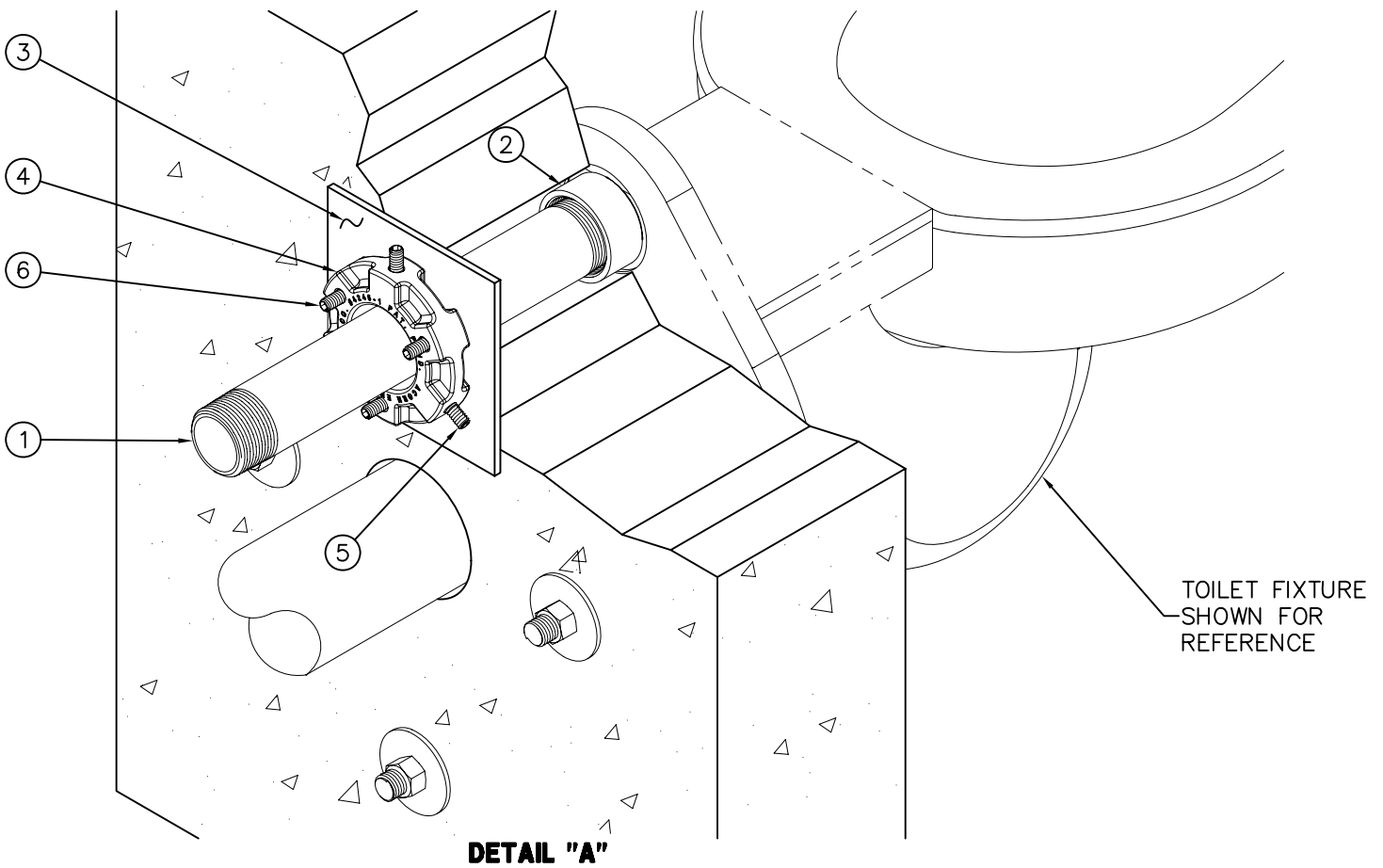
Lavy Waste Connection



Comby Flushing Inlet Connection



Toilet Flushing Inlet Connection



**INSTALLATION INSTRUCTIONS:**

- A- SECURE PIPE (1) TO FIXTURE CONNECTION (2) THROUGH WALL.
- B- PLACE THRUST PLATE (3) FLUSH AGAINST WALL.
- C- PLACE ANCHORING COLLAR (4) FLUSH AGAINST THRUST PLATE (3).
- D- HOLD UNIT AGAINST WALL, PARALLEL TO THE FLOOR.

- E- TIGHTEN SCREWS (5) (3 PLACES) TO SECURE ANCHORING COLLAR (4) TO PIPE (1).
- F- TIGHTEN SCREWS (6) (3 PLACES) TO PULL PIPE (1) AND PUSH AGAINST THRUST PLATE (3) IN ORDER TO HOLD FIXTURE WITH TENSION AGAINST WALL.



ACORN ENGINEERING COMPANY  
 P.O. BOX 3527 Industry, CA 91744  
 15125 Proctor Ave Industry, CA 91746  
 (626) 336-4561 FAX (626) 961-2200

TITLE <b>3395 ANCHORING ASSEMBLY</b>		
MANUFACTURE DATE <b>MAY 1998</b> <b>TO PRESENT</b>	DATE ISSUED <b>10/06/99</b>	DRAWING NUMBER <b>9925-759-001</b>
	DATE REVISED <b>04/08/11</b>	